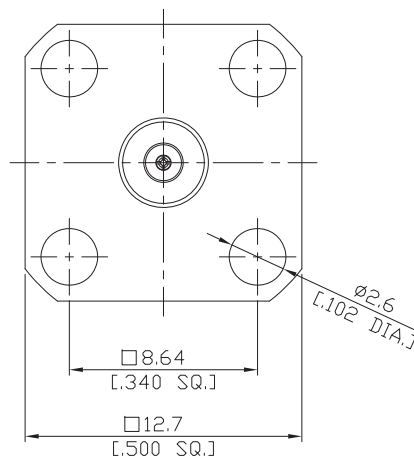
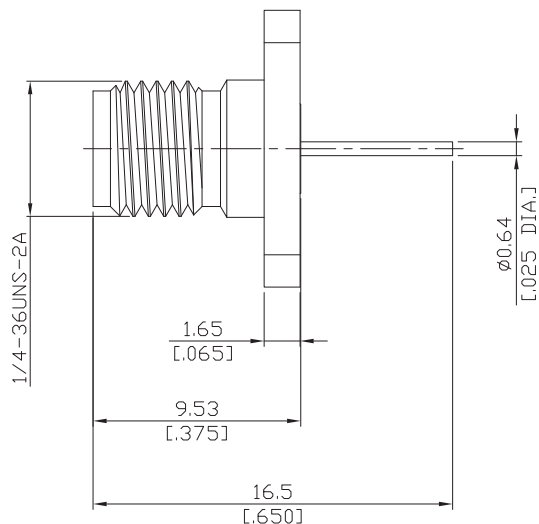


2.92mm Jack (Female) Connector Solder Attachment
4 Hole Flange Mount Stub Terminal,
12.7mm [0.500"] Square, 8.64mm [.340"] Hole Spacing

K2GFA50-1650A/9X



All dimensions are in mm [inch]

Tolerances according to DIN ISO 2768-mH

Interface

According to IEC 61169-35; IEEE Std 287

Electrical Data

Impedance 50 Ω
Frequency DC to 40 GHz

Mechanical Data

Coupling mechanisms Screw-lock
Weight N/A

Environmental Data

Temperature range -65°C to +165°C
RoHS compliant

Material And Plating

Piece Parts	Material	Plating
Centre contact	Beryllium Copper	Gold plating(Nickel underplated)
Body	Stainless Steel	Passivated
Insulator	PS	

Packing

Single or 100