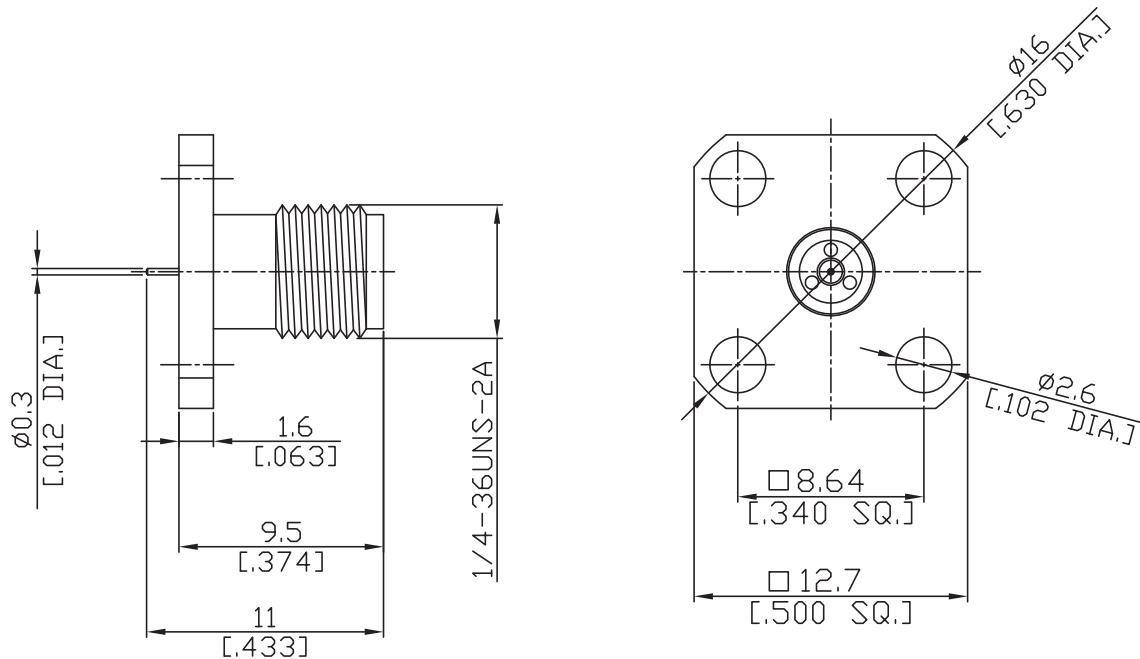


2.92mm Straight Panel Receptacle  
Jack (Coaxial End)

K2GFA50-1100A/9X



All dimensions are in mm [inch]

**Interface**

According to MIL-C-39012;MIL-STD-348A/323

**Electrical Data**

Impedance 50  $\Omega$   
Frequency DC to 40 GHz

**Mechanical Data**

Coupling mechanisms Screw-lock  
Weight 0.0026 kg

**Environmental Data**

Temperature range -55°C to +125°C  
RoHS compliant

**Material And Plating**

Piece Parts	Material	Plating
Centre contact	Beryllium Copper	Gold plating(Nickel underplated)
Body	Stainless Steel	Passivated
Insulator	PPO/PPE	

**Packing**

Single or 100