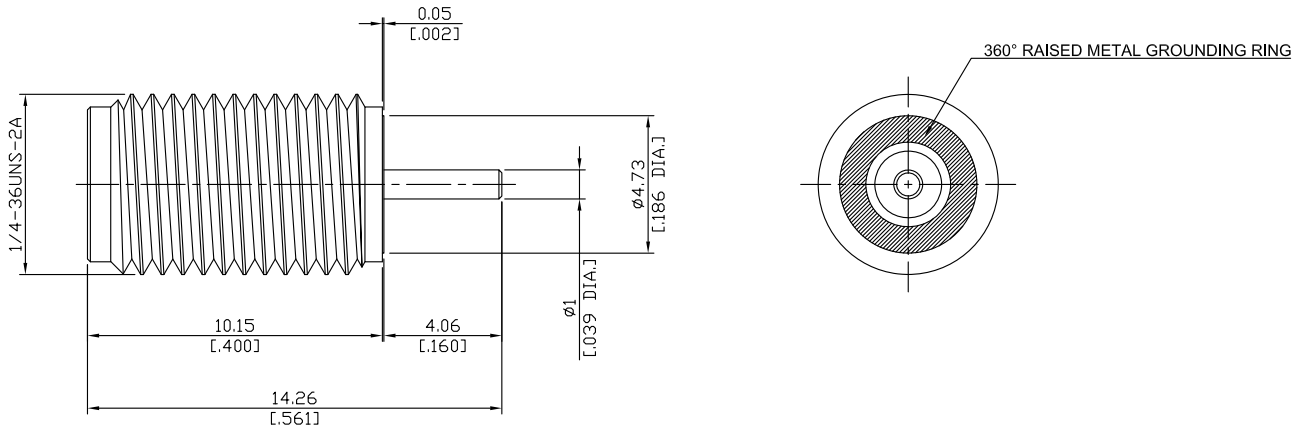


2.92mm Jack (Female) Bulkhead Mount Connector  
Stub Terminal, 1 mm (.039 inch) Diameter

K2FA50-1426A/9X



All dimensions are in mm [inch]  
Tolerances according to DIN ISO 2768-mH

**Interface**  
According to IEC 61169-35; IEEE Std 287-2007

**Electrical Data**  
Impedance 50 Ω  
Frequency DC to 40 GHz  
VSWR (Return Loss) ≤ 1.20 (≥ 20.83 dB)  
Insertion Loss ≤ 0.05 x √F (GHz) dB

**Mechanical Data**  
Coupling mechanisms Screw-lock  
Weight N/A

**Environmental Data**  
Temperature range -55°C to +165°C  
RoHS compliant

Material And Plating		
Piece Parts	Material	Plating
Centre contact	Beryllium Copper	Gold plating(Nickel underplated)
Body	Stainless Steel	Passivated
Insulator	PEI	

**Packing**  
Single or 100