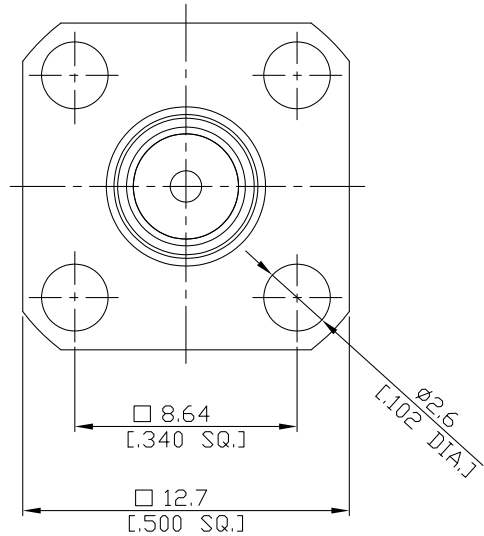
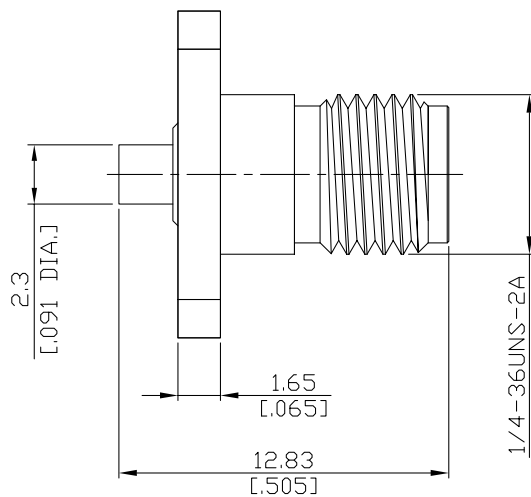


2.92mm (Female) Straight 4 Hole  
Panel Cable Jack, DC-40 GHz

K2EBF50-0047A/9X



All dimensions are in mm [inch]  
Tolerances according to DIN ISO 2768-mH

**Interface**

According to IEC 61169-35; IEEE Std 287-2007

**Electrical Data**

Impedance 50 Ω  
Frequency DC to 40 GHz  
VSWR (Return Loss) ≤ 1.35 (≥ 16.54 dB)  
Insertion Loss ≤ 0.05 x √F (GHz) dB

- Limitations are possible due to the used cable type and manufacturing method -

**Mechanical Data**

Coupling mechanisms Screw-lock  
Centre contact Plug-in  
Cable entry Soldered

**Environmental Data**

Temperature range -55°C to +165°C  
RoHS compliant

**Material And Plating**

Connector parts	Material	Plating
Centre contact	Beryllium Copper	Gold plating(Nickel underplated)
Body	Stainless Steel	Passivated
Insulator	PEI	
Barrel	Stainless Steel	Gold plating(Nickel underplated)

**Suitable Cables**

RSF047, RSR047, RSF 047 PVC, RSF 047 FEP

**Packing**

Single or 100