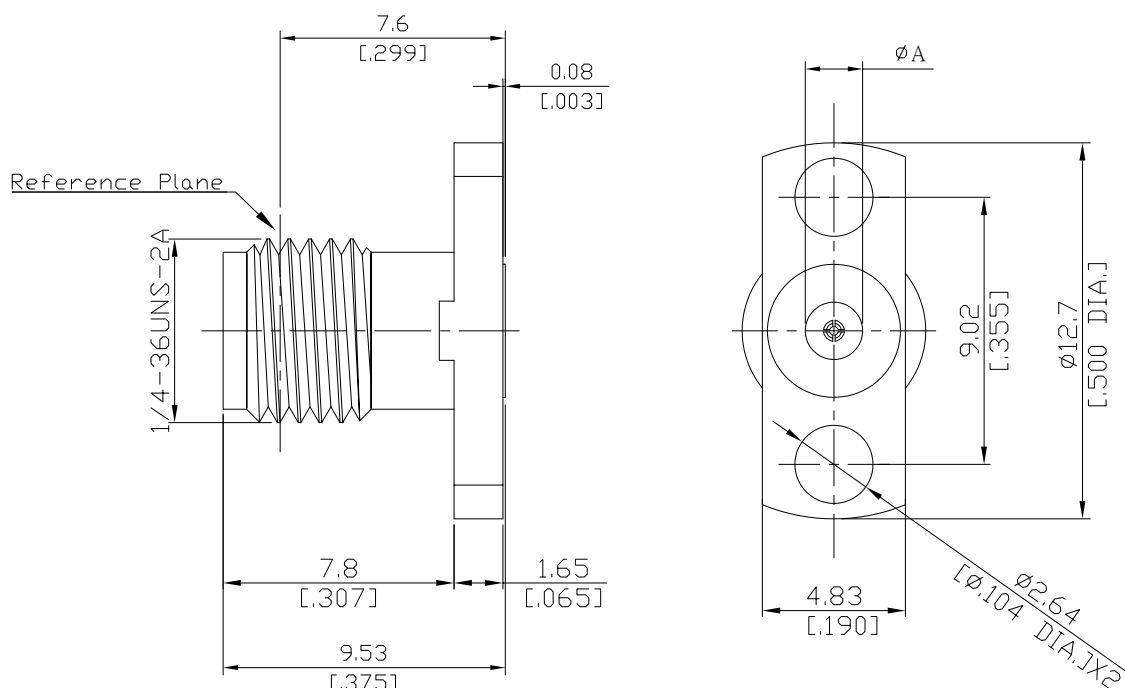


2.92mm (Female) Straight
2-Hole Field Replaceable Jack, DC-40 GHz

K2BT50-0015C/9X



P/N	Accept Pin mm [inch]	Max. Pin Depth mm [inch]	Ø A mm [inch]
K2BT50-0020C/9X	0.51 [.020]	1.65 [.065]	1.79 [.0705]
K2BT50-0015C/9X	0.38 [.015]	1.65 [.065]	1.38 [.054]
K2BT50-0012C/9X	0.30 [.012]	1.65 [.065]	1.23 [.0483]
K2BT50-0009C/9X	0.23 [.009]	1.65 [.065]	1.09 [.0431]

All dimensions are in mm [inch]
Tolerances according to DIN ISO 2768-mH

Interface

According to IEC 61169-35; IEEE Std 287-2007

Electrical Data

Impedance 50 Ω
Frequency DC to 40 GHz
VSWR (Return loss) ≤ 1.15 (≥ 23.13 dB)
Insertion Loss ≤ 0.05 x √F [GHz] dB

Mechanical Data

Coupling mechanisms Screw-lock
Weight N/A
Accept Pin 0.38 mm (.015 inch)

Environmental Data

Temperature range -55°C to +165°C
RoHS compliant

Material And Plating

Piece Parts	Material	Plating
Centre contact	Beryllium Copper	Gold plating(Nickel underplated)
Body	Stainy Steel	Passivated
Insulator	PEI	

The facts and figures herein are carefully compiled to the best of our knowledge, but they are intended for general informational purposes only. In the effort to improve our products, we reserve the right to make changes judged to be necessary.

Rev.: Rosnol RF/Microwave Technology
www.rosnol.com ; info@rosnol.com
Date: 19/11/10 Phone:+886-3-463-5095
Fax:+886-3-463-5952