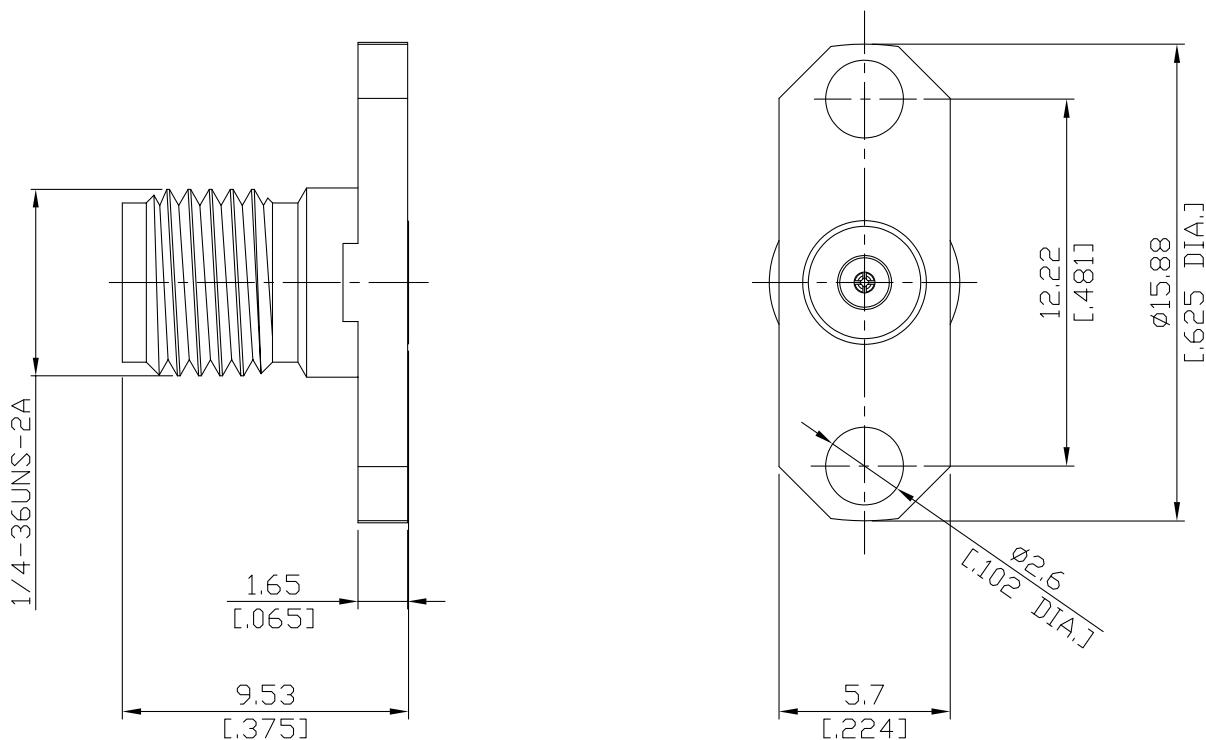


RPC2.92 Straight Field Replaceable Jack

K2BT50-0015A/9X



All dimensions are in mm [inch]

Tolerances according to DIN ISO 2768-mH

**Interface**

According to IEC 61169-35; IEEE Std 287-2007

**Electrical Data**

Impedance	50 Ω
Frequency	DC to 40 GHz
VSWR (Return loss)	DC to 27 GHz: ≤ 1.10 (≥ 26.44 dB) 27 GHz to 40 GHz: ≤ 1.15 (≥ 23.13 dB)
Insertion loss	≤ 0.3 dB

**Mechanical Data**

Coupling mechanisms	Screw-lock
Weight	N/A
Accept Pin	0.23 mm (.009 inch)

**Environmental Data**

Temperature range	-55°C to +165°C
RoHS	compliant

**Material And Plating**

Piece Parts	Material	Plating
Centre contact	Beryllium Copper	Gold plating(Nickel underplated)
Body	Stainless Steel	Passivated
Insulator	PS	

**Packing**

Single or 100