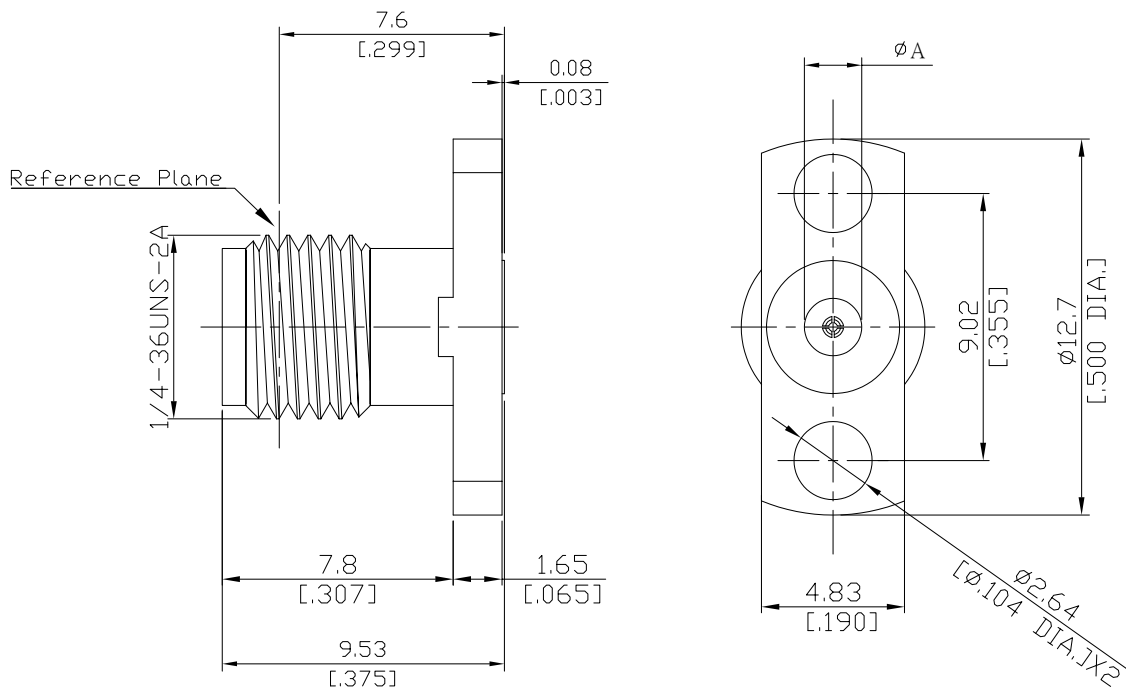


2.92mm (Female) Straight  
2-Hole Field Replaceable Jack, DC-40 GHz

K2BT50-0012C/9X



P/N	Accept Pin mm [inch]	Max. Pin Depth mm [inch]	Ø A mm [inch]
K2BT50-0020C/9X	0.51 [0.020]	1.65 [0.065]	1.79 [0.0705]
K2BT50-0015C/9X	0.38 [0.015]	1.65 [0.065]	1.38 [0.054]
K2BT50-0012C/9X	0.30 [0.012]	1.65 [0.065]	1.23 [0.0483]
K2BT50-0009C/9X	0.23 [0.009]	1.65 [0.065]	1.09 [0.0431]

All dimensions are in mm [inch]  
Tolerances according to DIN ISO 2768-mH

**Interface**

According to IEC 61169-35; IEEE Std 287-2007

**Electrical Data**

Impedance 50 Ω  
Frequency DC to 40 GHz  
VSWR (Return loss) ≤ 1.15 (≥ 23.13 dB)  
Insertion Loss ≤ 0.05 x √F (GHz) dB

**Mechanical Data**

Coupling mechanisms Screw-lock  
Weight N/A  
Accept Pin 0.30 mm (.012 inch)

**Environmental Data**

Temperature range -55°C to +165°C  
RoHS compliant

**Material And Plating**

Piece Parts	Material	Plating
Centre contact	Beryllium Copper	Gold plating(Nickel underplated)
Body	Stainless Steel	Passivated
Insulator	PEI	

**Packing**

Single or 100

The facts and figures herein are carefully compiled to the best of our knowledge, but they are intended for general informational purposes only. In the effort to improve our products, we reserve the right to make changes judged to be necessary.

Rev.: 1.0  
Date: 19/11/10  
Rosnol RF/Microwave Technology  
www.rosnol.com; info@rosnol.com  
Phone: +886-3-463-5095 / Fax: +886-3-463-5952  
N-CAGE Code: SFKK0 / ISO9001 certified

Page

1/1