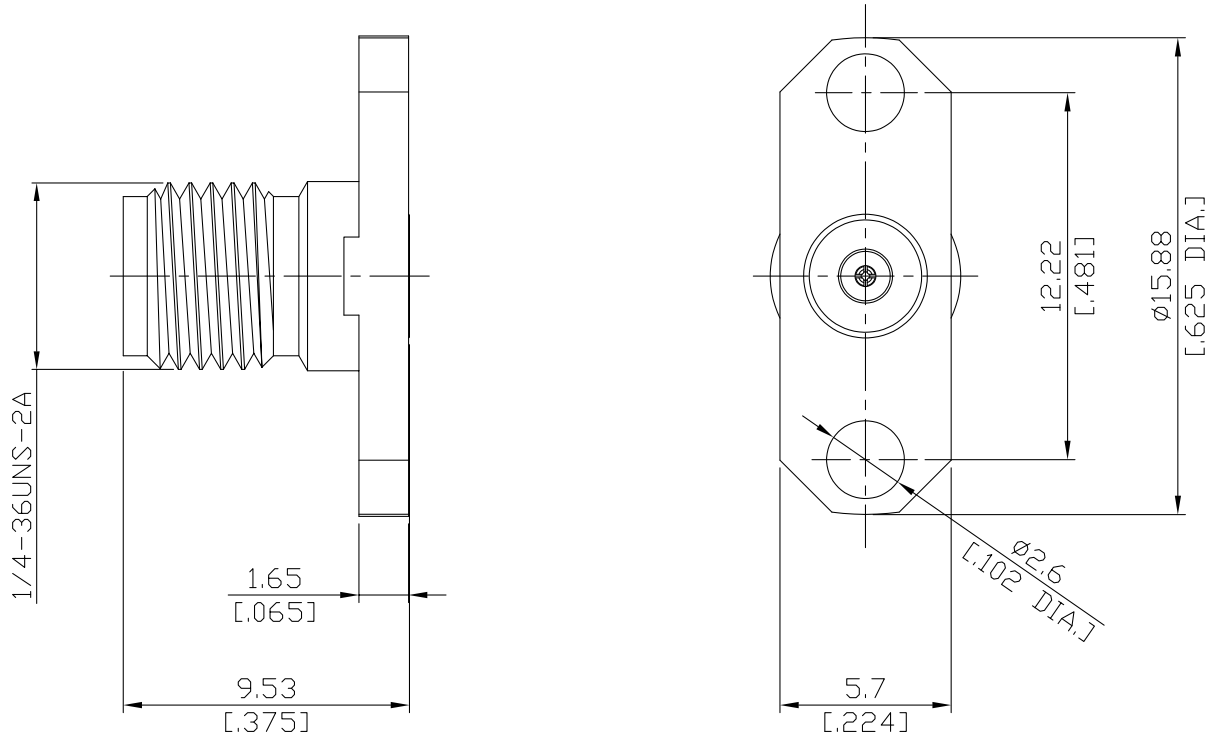




2.92mm Straight Field Replaceable Jack

K2BT50-0012A/9X



All dimensions are in mm [inch]

Tolerances according to DIN ISO 2768-mH

**Interface**

According to IEC 61169-35; IEEE Std 287-2007

**Electrical Data**

Impedance 50 Ω  
 Frequency DC to 40 GHz  
 VSWR (Return loss) DC to 27 GHz: ≤ 1.10 (≥ 26.44 dB)  
 27 GHz to 40 GHz: ≤ 1.15 (≥ 23.13 dB)  
 Insertion loss ≤ 0.3 dB

**Mechanical Data**

Coupling mechanisms Screw-lock  
 Weight N/A  
 Accept Pin 0.30 mm (.012 inch)

**Environmental Data**

Temperature range -55°C to +165°C  
 RoHS compliant

**Material And Plating**

Piece Parts	Material	Plating
Centre contact	Beryllium Copper	Gold plating(Nickel underplated)
Body	Stainless Steel	Passivated
Insulator	PS	

**Packing**

Single or 100