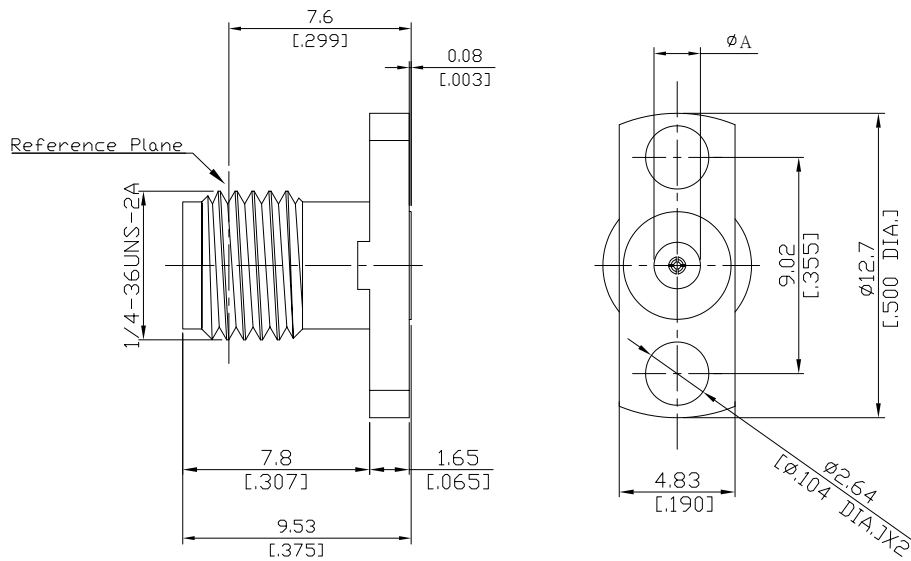


2.92mm (Female) Straight
2-Hole Field Replaceable Jack, DC-40 GHz

K2BT50-0009C/9X



P/N	Accept Pin mm [inch]	Max. Pin Depth mm [inch]	Ø A mm [inch]
K2BT50-0020C/9X	0.51 [.020]	1.65 [.065]	1.79 [.0705]
K2BT50-0015C/9X	0.38 [.015]	1.65 [.065]	1.38 [.054]
K2BT50-0012C/9X	0.30 [.012]	1.65 [.065]	1.23 [.0483]
K2BT50-0009C/9X	0.23 [.009]	1.65 [.065]	1.09 [.0431]

All dimensions are in mm [inch]

Tolerances according to DIN ISO 2768-mH

Interface

According to IEC 61169-35; IEEE Std 287-2007

Electrical Data

Impedance 50 Ω
 Frequency DC to 40 GHz
 VSWR (Return loss) ≤ 1.15 (≥ 23.13 dB)
 Insertion Loss ≤ 0.05 x √F (GHz) dB

Mechanical Data

Coupling mechanisms Screw-lock
 Weight N/A
 Accept Pin 0.51 mm (.020 inch)

Environmental Data

Temperature range -55°C to +165°C
 RoHS compliant

Material And Plating

Piece Parts	Material	Plating
Centre contact	Beryllium Copper	Gold plating(Nickel underplated)
Body	Stainless Steel	Passivated
Insulator	PEI	

Packing

Single or 100