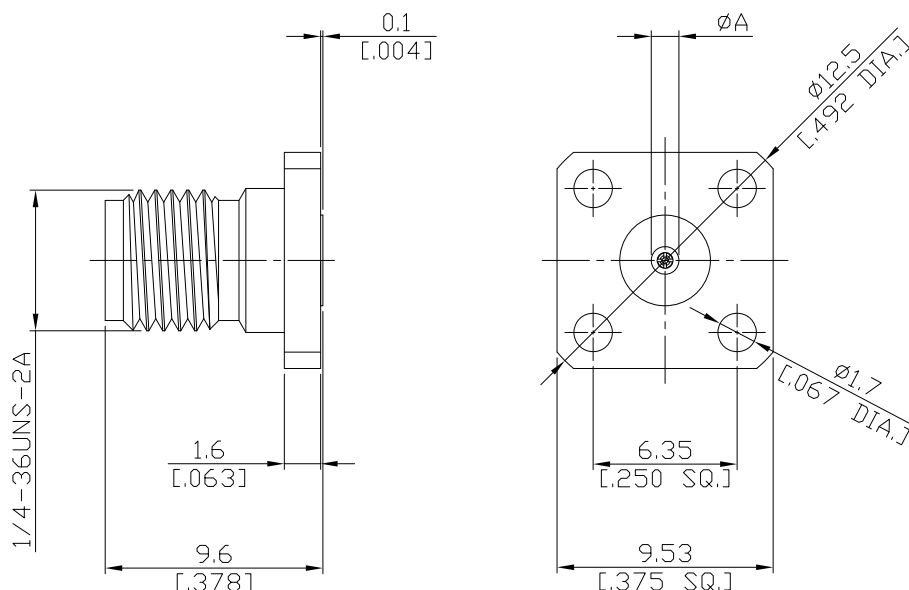


**2.92mm (Female) Straight Field Replaceable Jack  
4-Hole 9.53mm [.375"] Square Flange, DC-40 GHz**



Model	Pin Size	Max. Pin Depth	Ø A
K2BF50-0009B/9X	0.23mm [.009"]	1.65mm [.065"]	1.09mm [.043"]
K2BF50-0012B/9X	0.30mm [.012"]	1.65mm [.065"]	1.22mm [.048"]
K2BF50-0015B/9X	0.38mm [.015"]	1.65mm [.065"]	1.38mm [.054"]
K2BF50-0018B/9X	0.46mm [.018"]	1.65mm [.065"]	1.80mm [.071"]
K2BF50-0020B/9X	0.51mm [.020"]	1.65mm [.065"]	1.80mm [.071"]

All dimensions are in mm [inch]

Tolerances according to DIN ISO 2768-mH

**Interface**

According to IEC 61169-35; IEEE Std 287-2007

**Electrical Data**

Impedance 50 Ω  
Frequency DC to 40 GHz

**Mechanical Data**

Coupling mechanisms Screw-lock  
Weight N/A  
Accept Pin See table

**Environmental Data**

Temperature range -55°C to +165°C  
RoHS compliant

**Material And Plating**

Piece Parts	Material	Plating
Centre contact	Beryllium Copper	Gold plating(Nickel underplated)
Body	Stainless Steel	Passivated
Insulator	PEI	

**Packing**

Single or 100