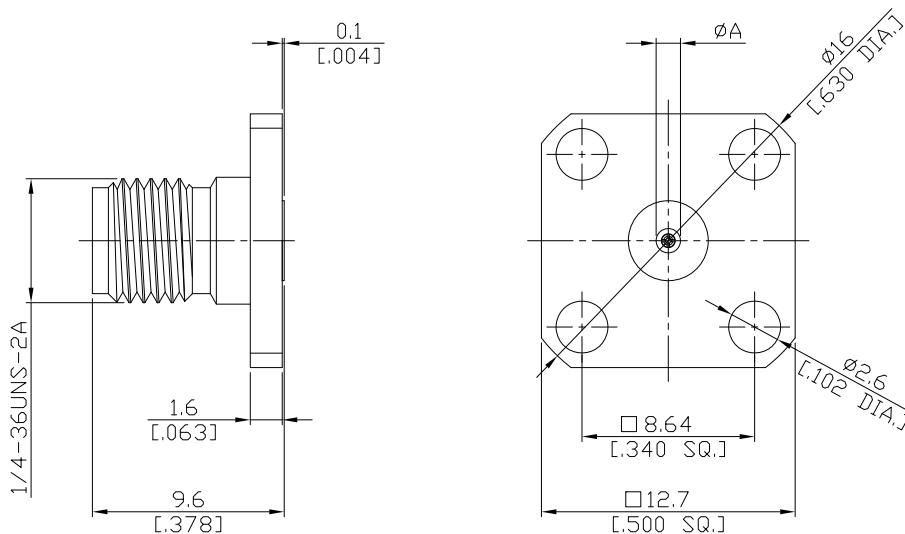




2.92mm Straight Field Replaceable Jack
4-Hole 12.7mm [.500"] Square Flange



Model	Pin Size	Max. Pin Depth	Ø A
K2BF50-0009A/9X	0.23mm [.009"]	1.65mm [.065"]	1.09mm [.043"]
K2BF50-0012A/9X	0.30mm [.012"]	1.65mm [.065"]	1.22mm [.048"]
K2BF50-0015A/9X	0.38mm [.015"]	1.65mm [.065"]	1.38mm [.054"]
K2BF50-0018A/9X	0.46mm [.018"]	1.65mm [.065"]	1.80mm [.071"]
K2BF50-0020A/9X	0.51mm [.020"]	1.65mm [.065"]	1.80mm [.071"]

All dimensions are in mm [inch]
Tolerances according to DIN ISO 2768-mH

Interface

According to IEEE Std 287-2007
MIL-C-39012;MIL-STD-348A/323

Electrical Data

Impedance 50 Ω
Frequency DC to 40 GHz

Mechanical Data

Coupling mechanisms Screw-lock
Weight N/A
Accept Pin See table

Environmental Data

Temperature range -55°C to +165°C
RoHS compliant

Material And Plating

Piece Parts	Material	Plating
Centre contact	Beryllium Copper	Gold plating(Nickel underplated)
Body	Stainless Steel	Passivated
Insulator	PS	

Packing

Single or 100