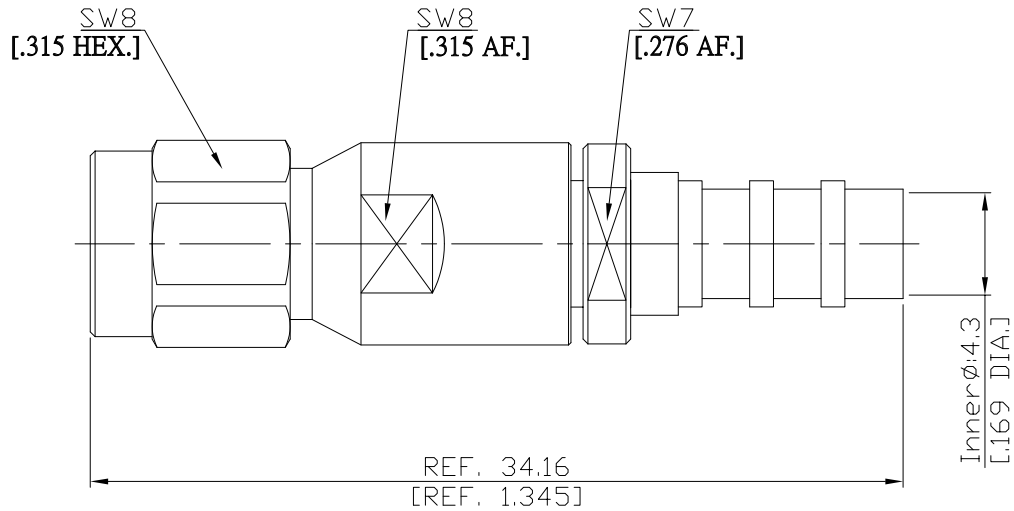


2.92mm (Male) Straight Cable Plug

K1K50-0280A/9XX



All dimensions are in mm [inch]
Tolerances according to DIN ISO 2768-mH

Interface

According to IEC 61169-35; IEEE Std 287-2007

Electrical Data

Impedance 50 Ω
Frequency DC to 40 GHz
VSWR (Return Loss) ≤ 1.25 (≥ 19.08 dB)
Insertion Loss ≤ 0.04 × √F [GHz] dB

- Limitations are possible due to the used cable type and manufacturing process -

Mechanical Data

Coupling mechanisms Screw-lock
Centre contact Plug-in
Cable entry Solder Clamp

Environmental Data

Temperature range -55°C to +165°C
RoHS compliant

Material And Plating

| Connector parts | Material | Plating |
|-----------------|------------------|----------------------------------|
| Centre contact | Beryllium Copper | Gold plating(Nickel underplated) |
| Body | Stainless Steel | Passivated |
| Insulator | PEI | |
| Coupling nut | Stainless Steel | Passivated |

Suitable Cables

MP420A

Packing

Single