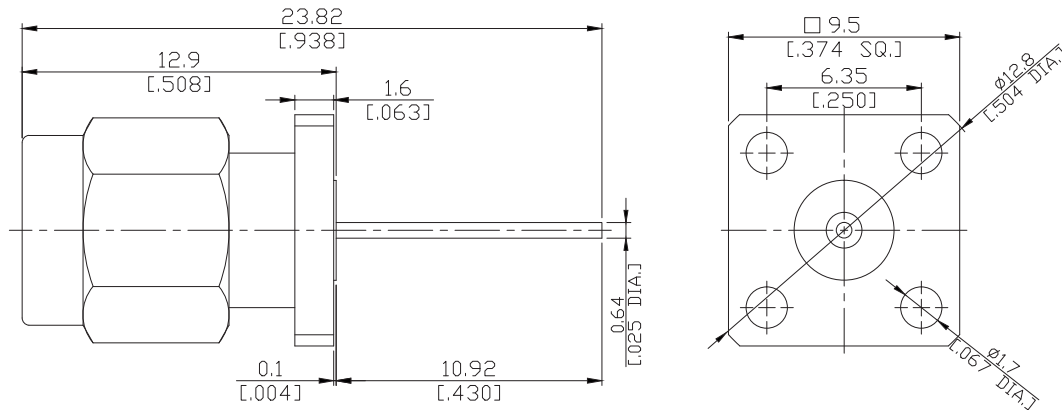


2.92mm Straight Panel Receptacle  
Plug

K1GFA50-2382B/9XX



All dimensions are in mm [inch]

**Interface**

According to **MIL-STD-348A**

**Electrical Data**

Impedance **50 Ω**  
 Frequency **DC to 50 GHz**  
 VSWR **≤1.15**  
 Return loss **≥23.127dB**

**Mechanical Data**

Coupling mechanisms **Screw-lock**  
 Weight **N/A**

**Environmental Data**

Temperature range **-55°C to +165°C**  
 RoHS **compliant**

**Material And Plating**

Piece Parts	Material	Plating
Centre contact	Beryllium Copper	Gold plating(Nickel underplated)
Body	Stainless Steel	Passivated
Insulator	PEI/PTFE	
Gasket	Silicone Rubber	
Coupling nut	Stainless Steel	Passivated

**Packing**

Single or 100