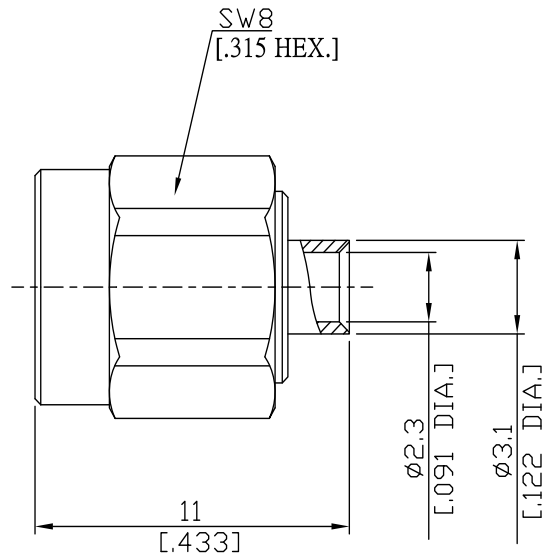


2.92mm Straight Cable Plug

K1E50-0085A/9XX



All dimensions are in mm [inch]
Tolerances according to DIN ISO 2768-mH

Interface

According to IEC 61169-35; MIL-C-39012; MIL-STD-348A/323

Electrical Data

Impedance 50 Ω
Frequency DC to 40 GHz
VSWR (Return Loss) ≤ 1.30 (≥ 17.69 dB)
Insertion Loss ≤ 0.05 x √F (GHz) dB

- Digressions are possible due to the used cable type and manufacturing process -

Mechanical Data

Coupling mechanisms Screw-lock
Centre contact Plug-in
Cable entry Crimped

Environmental Data

Temperature range -55°C to +165°C
RoHS compliant

Material And Plating

Connector parts	Material	Plating
Centre contact	Beryllium Copper	Gold plating(Nickel underplated)
Body	Stainless Steel	Passivated
Insulator	PEI	
Gasket	Silicone Rubber	
Coupling nut	Stainless Steel	Passivated
Barrel (cable entry)	Brass	Gold plating(Nickel underplated)

Suitable Cables

SR085, SF085, MF085, Sucoform 86

Packing

Single or 100