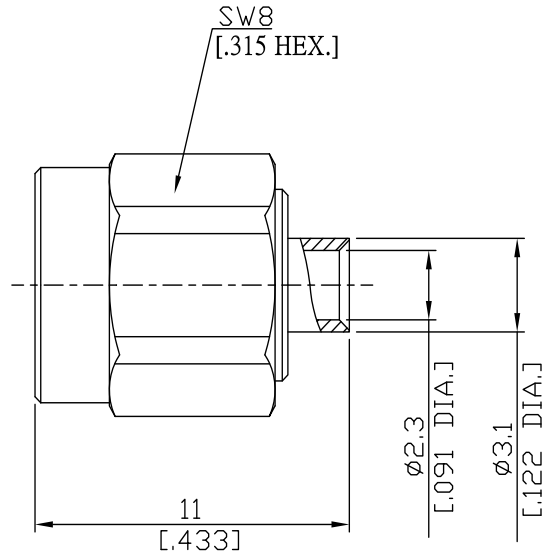


2.92mm Straight Cable Plug

K1E50-0085A/91X



All dimensions are in mm [inch]  
Tolerances according to DIN ISO 2768-mH

**Interface**

According to IEC 61169-35; MIL-STD-348A/323; IEEE Std 287-2007

**Electrical Data**

Impedance 50 Ω  
Frequency DC to 40 GHz  
VSWR (Return Loss) ≤ 1.30 (≥ 17.69 dB)  
Insertion Loss ≤ 0.05 x √F (GHz) dB

- Digressions are possible due to the used cable type and manufacturing process -

**Mechanical Data**

Coupling mechanisms Screw-lock  
Centre contact Plug-in  
Cable entry Soldered

**Environmental Data**

Temperature range -55°C to +165°C  
RoHS compliant

**Material And Plating**

Connector parts	Material	Plating
Centre contact	Beryllium Copper	Gold plating(Nickel underplated)
Body	Brass	Gold plating(Nickel underplated)
Insulator	PEI	
Gasket	Silicone Rubber	
Coupling nut	Stainless Steel	Passivated

**Suitable Cables**

RSR-085, RSF-085, RSF-085-FEP, UT 85, RG 405/U, RTK- FS 085, RTK- Flex 405  
BELDEN 1671A

**Packing**

Single or 100