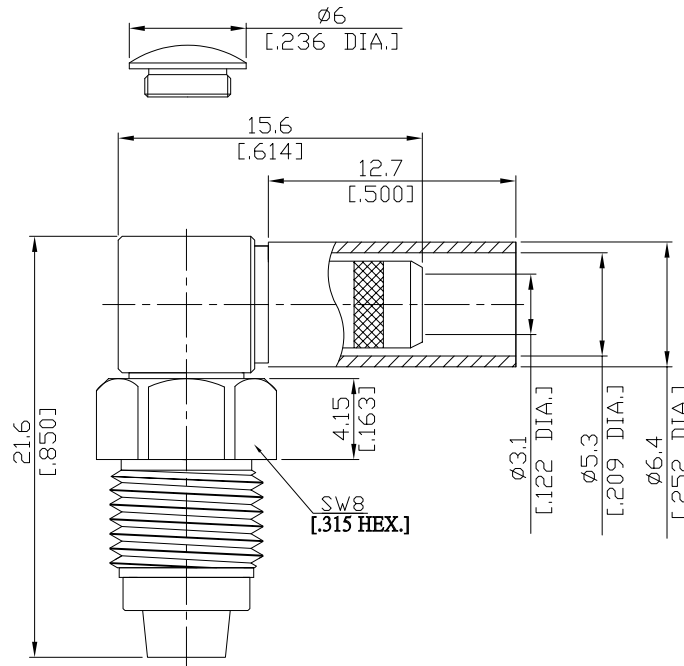




FME Right-Angle Cable Jack

FME2C59-G058B/H4



All dimensions are in mm [inch]
Tolerances according to DIN ISO 2768-mH

Interface

According to N/A

Electrical Data

Impedance 50 Ω
Frequency DC to 2.5 GHz

- Limitations are possible due to the used cable type and manufacturing process -

Mechanical Data

Coupling mechanisms Screw-lock
Centre contact Soldered
Cable entry Crimped

Environmental Data

Temperature range -65°C to +165°C
RoHS compliant

Material And Plating

Connector parts	Material	Plating
Centre contact	Brass	Gold plating(Nickel underplated)
Body	Brass	Copper-Tin-Zinc Alloy
Insulator	PTFE	
Crimp ferrules	Brass	Copper-Tin-Zinc Alloy

Suitable Cables

RG-58C, RG-303, LMR 195, RNL-195

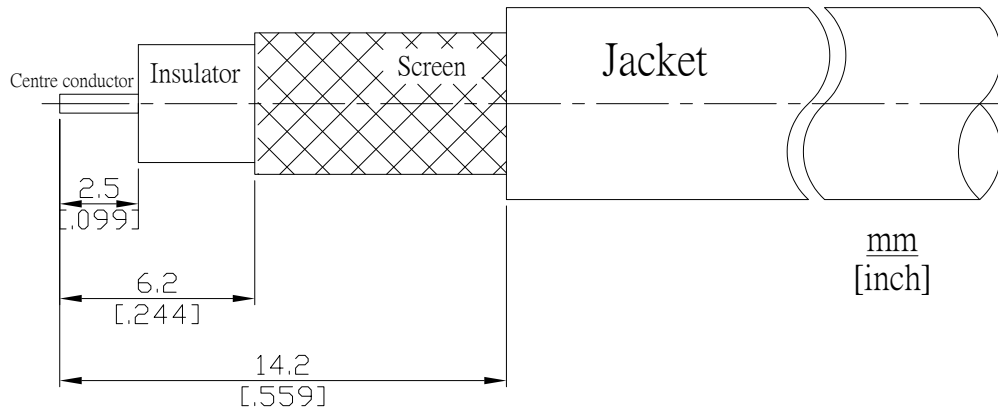
Packing

Single, 5-pack, or 100

FME Right-Angle Cable Jack

FME2C59-G058B/H4

Recommended Cable Stripping Dimensions



Crimp Dimensions [HEX]

Crimp ferrule 5.41 mm [0.213 inch]