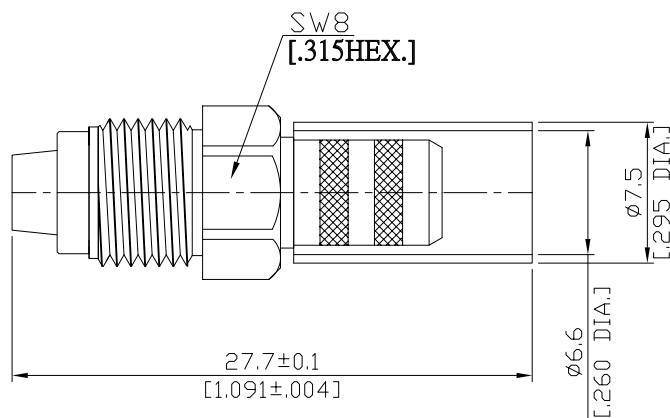


FME Straight Cable Plug

FME2C50-R240A/H4



All dimensions are in mm [inch]

Tolerances according to DIN ISO 2768-mH

**Interface**

According to N/A

**Electrical Data**

Impedance 50  $\Omega$   
Frequency DC to 2.5 GHz

- Limitations are possible due to the used cable type and manufacturing process -

**Mechanical Data**

Coupling mechanisms Screw-lock  
Centre contact Soldered or Crimped  
Cable entry Crimped

**Environmental Data**

Temperature range -65°C to +165°C  
RoHS compliant

**Material And Plating**

| Connector parts | Material        | Plating                          |
|-----------------|-----------------|----------------------------------|
| Centre contact  | Phosphor Bronze | Gold plating(Nickel underplated) |
| Body            | Brass           | Copper-Tin-Zinc Alloy            |
| Insulator       | PTFE            |                                  |
| Crimp ferrule   | Brass           | Copper-Tin-Zinc Alloy            |

**Suitable Cables**

LMR 240, BELDEN 7808A, BELDEN 9258, H155

**Packing**

Single or 100