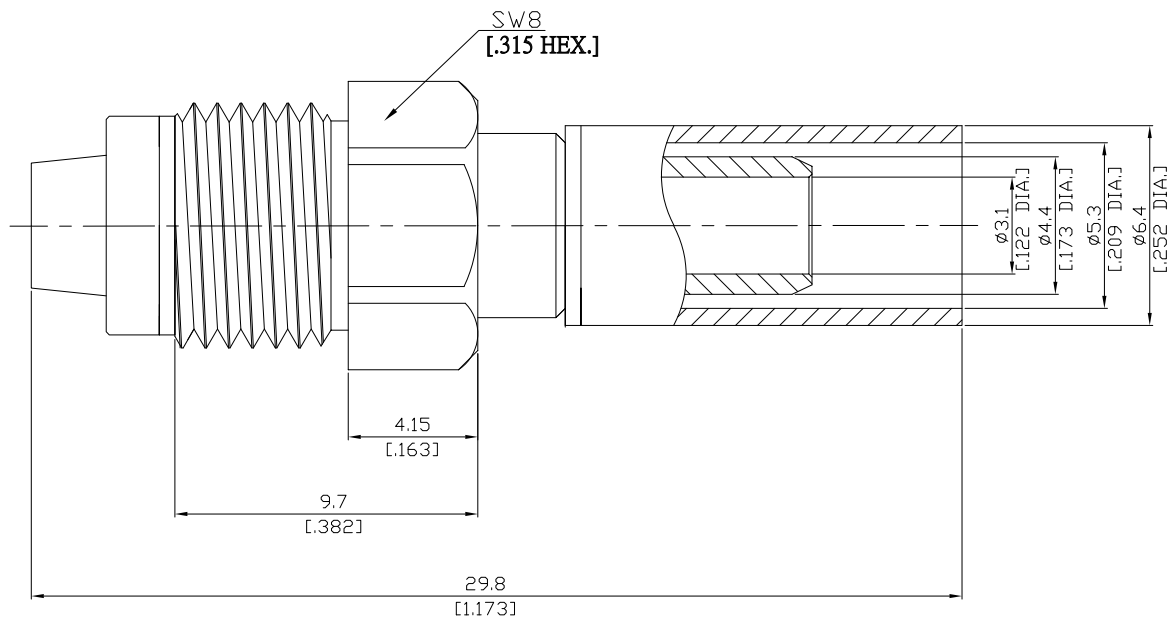


FME Straight Cable Jack

FME2C50-G058B/H4



All dimensions are in mm [inch]
Tolerances according to DIN ISO 2768-mH

Interface
According to N/A

Electrical Data
Impedance 50 Ω
Frequency DC to 2.5 GHz

- Limitations are possible due to the used cable type and manufacturing process -

Mechanical Data
Coupling mechanisms Screw-lock
Centre contact Soldered or Crimped
Cable entry Crimped

Environmental Data
Temperature range -65°C to +165°C
RoHS compliant

Material And Plating		
Connector parts	Material	Plating
Centre contact	Phosphor Bronze	Gold plating(Nickel underplated)
Body	Brass	Copper-Tin-Zinc Alloy
Insulator	PTFE	
Crimp ferrules	Brass	Copper-Tin-Zinc Alloy

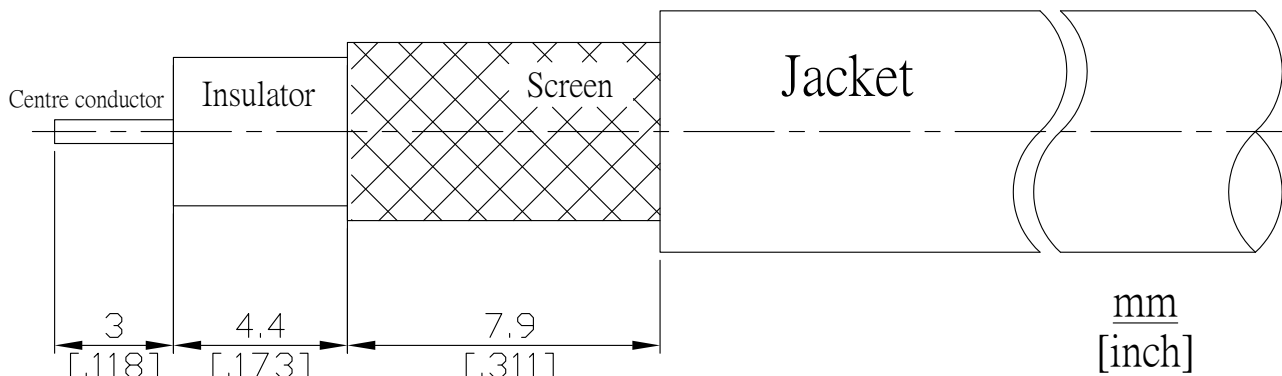
Suitable Cables
RG-58, RG-58A, RG-58C, RG-141, RG-303, BELDEN 7806A, BELDEN 9907, LMR 195

Packing
Single, 5-pack, or 100

FME Straight Cable Jack

FME2C50-G058B/H4

Recommended Cable Stripping Dimensions



Crimp Dimensions [HEX]

Crimp ferrule	5.41 mm [.213 inch]
Centre contact	1.73 mm [.068 inch]