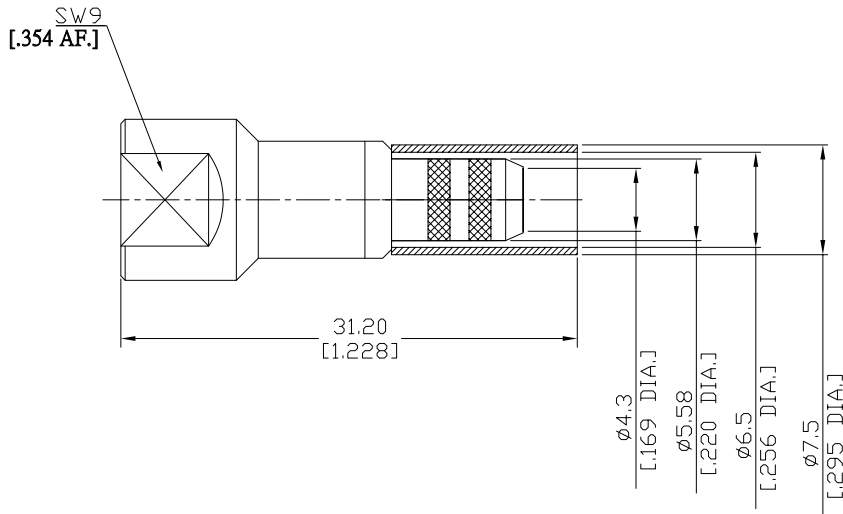


FME Straight Cable Plug

FME1C50-R240A/H4



All dimensions are in mm [inch]  
Tolerances according to DIN ISO 2768-mH

**Interface**  
According to N/A

**Electrical Data**  
Impedance 50 Ω  
Frequency DC to 2.5 GHz

- Limitations are possible due to the used cable type and manufacturing process -

**Mechanical Data**  
Coupling mechanisms Screw-lock  
Centre contact Soldered; Crimped  
Cable entry Crimped

**Environmental Data**  
Temperature range -65°C to +165°C  
RoHS compliant

**Material And Plating**

Connector parts	Material	Plating
Centre contact	Phosphor Bronze	Gold plating(Nickel underplated)
Body	Brass	Copper-Tin-Zinc Alloy
Insulator	PTFE	
Crimp ferrule	Brass	Copper-Tin-Zinc Alloy

**Suitable Cables**  
LMR 240, BELDEN H155, RNL-240, BELDEN 7808A, BELDEN 9258

**Packing**  
Single or 100