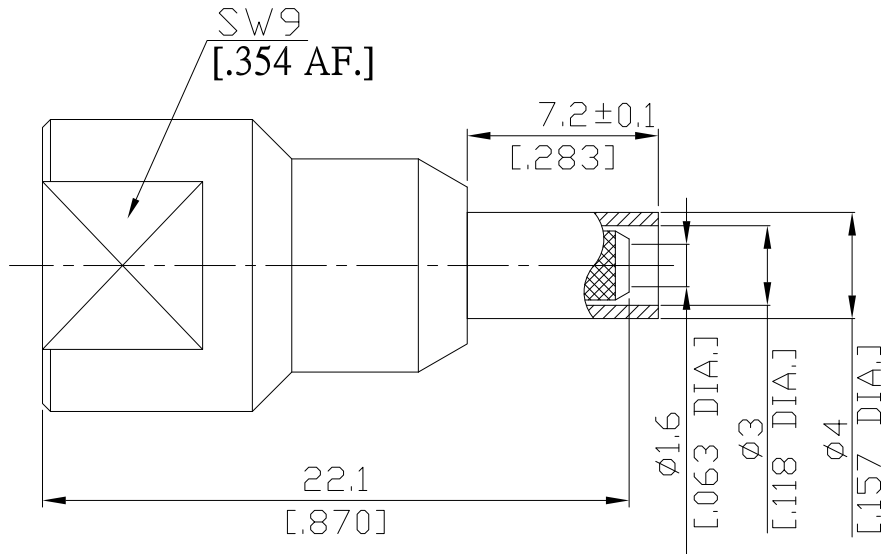


FME(Male) Straight Cable Plug

FME1C50-G316A/14



All dimensions are in mm [inch]  
Tolerances according to DIN ISO 2768-mH

**Interface**

According to N/A

**Electrical Data**

Impedance 50 Ω  
Frequency DC to 2.5 GHz

- Limitations are possible due to the used cable type and manufacturing method -

**Mechanical Data**

Coupling mechanisms Screw-lock  
Centre contact Crimped or Soldered  
Cable entry Crimped

**Environmental Data**

Temperature range -65°C to +165°C  
RoHS compliant

**Material And Plating**

Connector parts	Material	Plating
Centre contact	Brass	Gold plating(Nickel underplated)
Body	Brass	Copper-Tin-Zinc Alloy
Insulator	PTFE	
Crimp ferrules	Brass	Copper-Tin-Zinc Alloy

**Suitable Cables**

RG-174, RG-188A, RG-316, BELDEN 7805

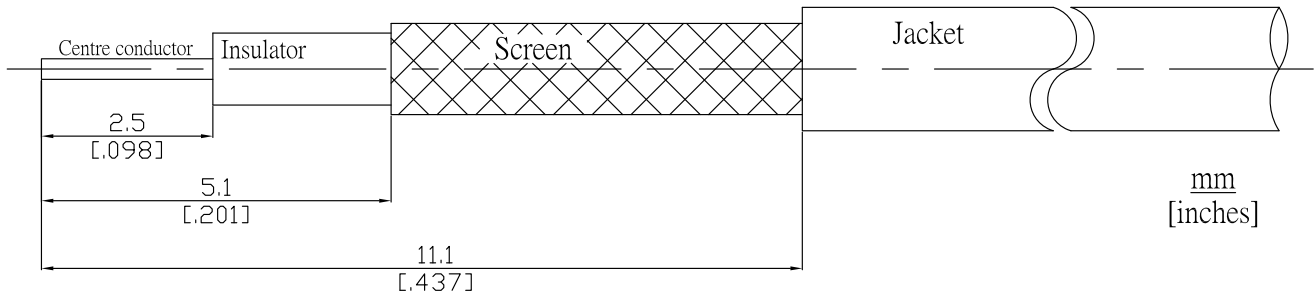
**Packing**

Single, 5-pack, or 100

FME(Male) Straight Cable Plug

FME1C50-G316A/14

**Recommended Cable Stripping Dimensions**



**Crimp Dimensions**

Crimp ferrule 3.25 mm [.128 inch] HEX  
Center Contact 0.7 mm [.028 inch] SQ