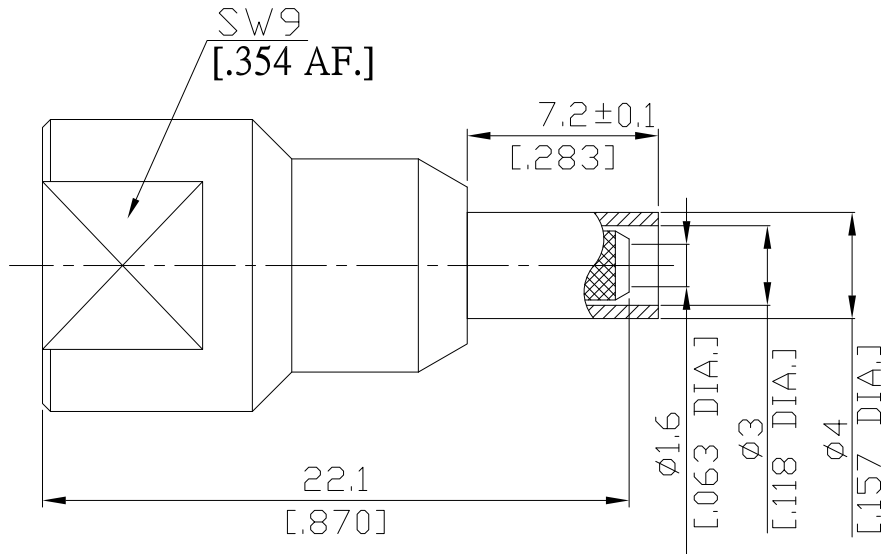


FME(Male) Straight Cable Plug

FME1C50-G316A/13



All dimensions are in mm [inch]
Tolerances according to DIN ISO 2768-mH

Interface

According to N/A

Electrical Data

Impedance 50 Ω
Frequency DC to 2.5 GHz

- Limitations are possible due to the used cable type and manufacturing method -

Mechanical Data

Coupling mechanisms Screw-lock
Centre contact Crimped or Soldered
Cable entry Crimped

Environmental Data

Temperature range -65°C to +165°C
RoHS compliant

Material And Plating

| Connector parts | Material | Plating |
|-----------------|----------|----------------------------------|
| Centre contact | Brass | Gold plating(Nickel underplated) |
| Body | Brass | Nickel |
| Insulator | PTFE | |
| Crimp ferrules | Brass | Nickel |

Suitable Cables

RG-174, RG-188A, RG-316, BELDEN 7805

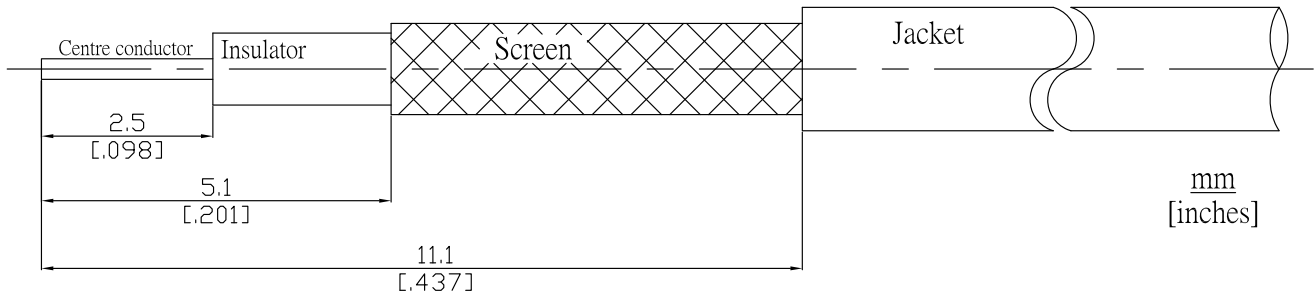
Packing

Single, 5-pack, or 100

FME(Male) Straight Cable Plug

FME1C50-G316A/13

Recommended Cable Stripping Dimensions



Crimp Dimensions

Crimp ferrule 3.25 mm [.128 inch] HEX
Center Contact 0.7 mm [.028 inch] SQ