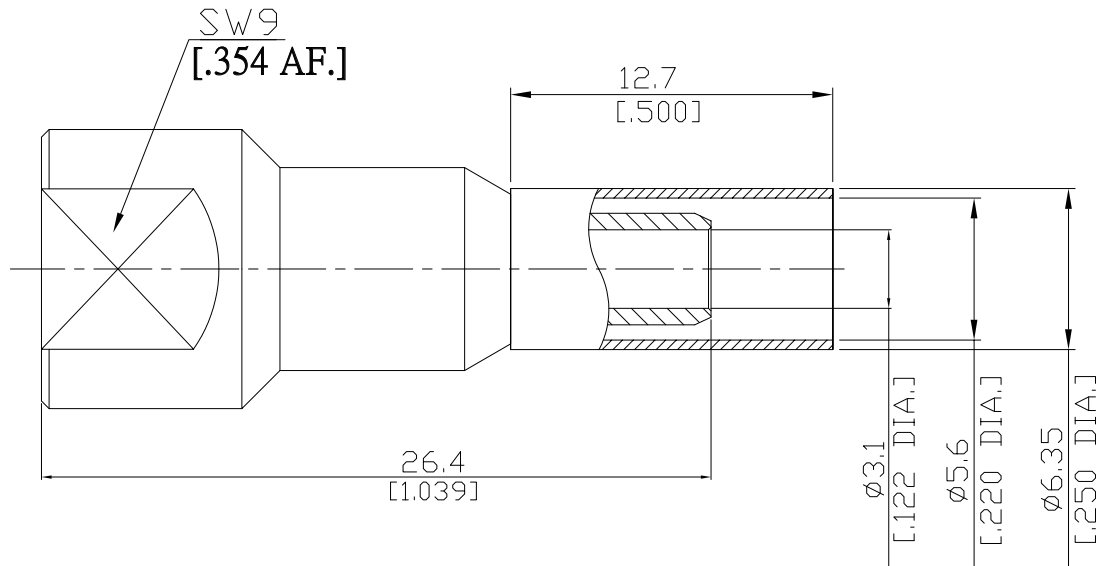


FME Straight Cable Plug

FME1C50-G142A/13



All dimensions are in mm [inch]

Tolerances according to DIN ISO 2768-mH

Interface

According to N/A

Electrical Data

Impedance 50 Ω

Frequency DC to 2.5 GHz

- Limitations are possible due to the used cable type and manufacturing process -

Mechanical Data

Coupling mechanisms Screw-lock

Centre contact Soldered or Crimped

Cable entry Crimped

Environmental Data

Temperature range -65°C to +165°C

RoHS compliant

Material And Plating

Connector parts	Material	Plating
Centre contact	Brass	Gold plating(Nickel underplated)
Body	Brass	Nickel
Insulator	PTFE	
Crimp ferrules	Brass	Nickel

Suitable Cables

RG-55, RG-142, RG-223, RG-400

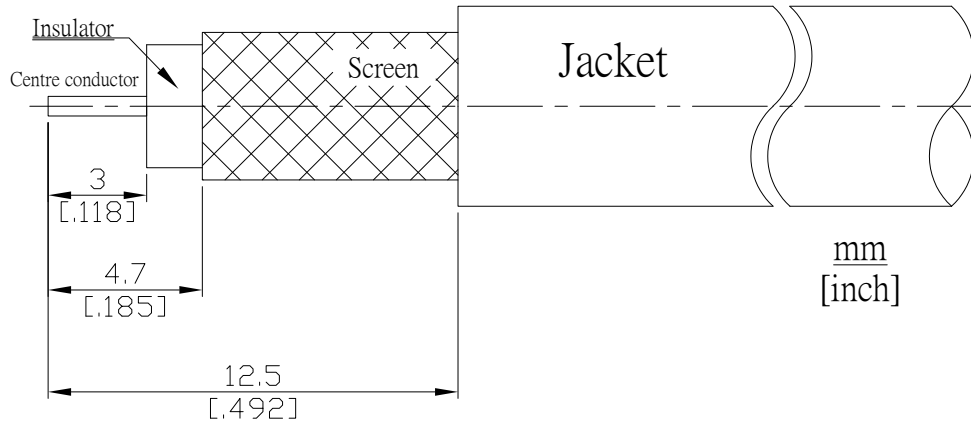
Packing

Single or 100

FME Straight Cable Plug

FME1C50-G142A/13

Recommended Cable Stripping Dimensions



Crimp Dimensions [HEX]

Crimp ferrule	5.41 mm [0.213 inch]
Centre contact	1.73 mm [0.068 inch]