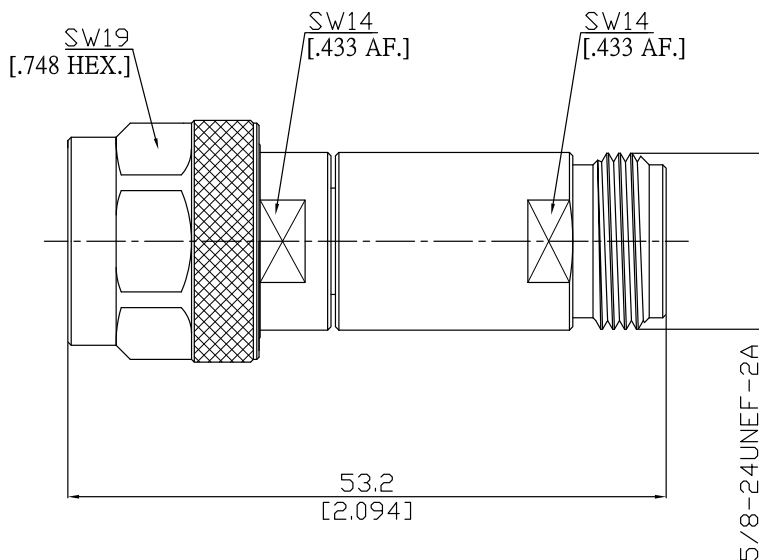


Fixed Attenuator plug/jack  
N plug (male) / N jack (female)

FA-N1N25A-6G2W6/944-94



All dimensions are in mm [inch]  
Tolerances according to DIN ISO 2768-mH

**Interface**

According to IEC 61169-16; CECC 22210; MIL-C-39012; MIL-STD-348A/304

**Electrical Data**

Impedance 50 Ω  
Attenuation 6 dB  
Frequency DC to 6 GHz  
VSWR (Return Loss) ≤ 1.25 (≥ 19.08 dB)  
Attenuation deviation ± 0.4 dB  
Power rating 2 Watt average power up to 25 °C

**Mechanical Data**

Coupling mechanisms Screw-lock  
Weight N/A

**Environmental Data**

Temperature range -55°C to +130°C  
RoHS compliant

**Material And Plating**

Piece Parts (N)	Material	Plating
Centre contact	Beryllium Copper	Gold plating(Nickel underplated)
Body	Brass	Copper-Tin-Zinc Alloy
Insulator	PTFE	
Gasket	Silicone Rubber	
Coupling Nut	Brass	Copper-Tin-Zinc Alloy

Piece Parts (N)	Material	Plating
Centre contact	Beryllium Copper	Gold plating(Nickel underplated)
Body	Brass	Copper-Tin-Zinc Alloy
Insulator	PTFE	

**Packing**

Single or 100