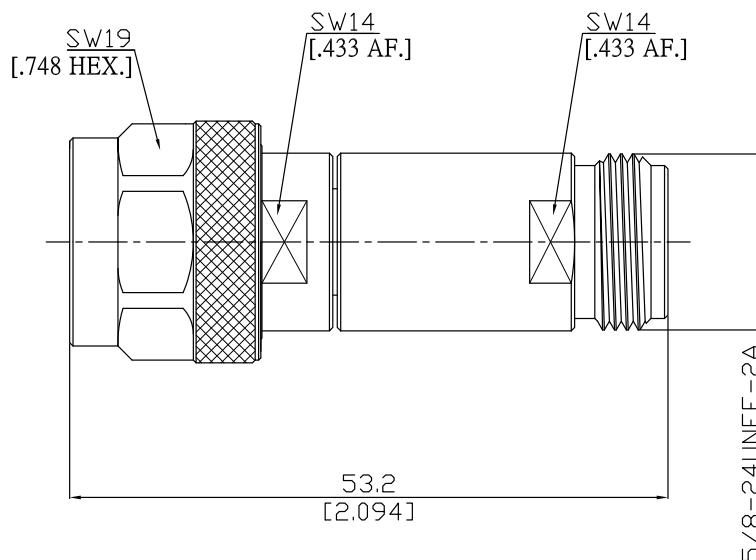


Fixed Attenuator plug/jack
N plug (male) / N jack (female)

FA-N1N25A-6G2W30/944-94



All dimensions are in mm [inch]
Tolerances according to DIN ISO 2768-mH

Interface

According to IEC 61169-16; MIL-STD-348B/304

Electrical Data

Impedance 50 Ω
Attenuation 30 dB
Frequency DC to 6 GHz
VSWR (Return Loss) ≤ 1.25 (≥ 19.08 dB)
Attenuation deviation ± 1.0 dB
Power rating 2 Watt average power up to 25 °C

Mechanical Data

Coupling mechanisms Screw-lock
Weight N/A

Environmental Data

Temperature range -55°C to +130°C
RoHS compliant

Material And Plating

Piece Parts (N)	Material	Plating
Centre contact	Beryllium Copper	Gold plating(Nickel underplated)
Body	Brass	Copper-Tin-Zinc Alloy
Insulator	PTFE	
Gasket	Silicone Rubber	
Coupling Nut	Brass	Copper-Tin-Zinc Alloy

Piece Parts (N)	Material	Plating
Centre contact	Beryllium Copper	Gold plating(Nickel underplated)
Body	Brass	Copper-Tin-Zinc Alloy
Insulator	PTFE	

Packing

Single or 100