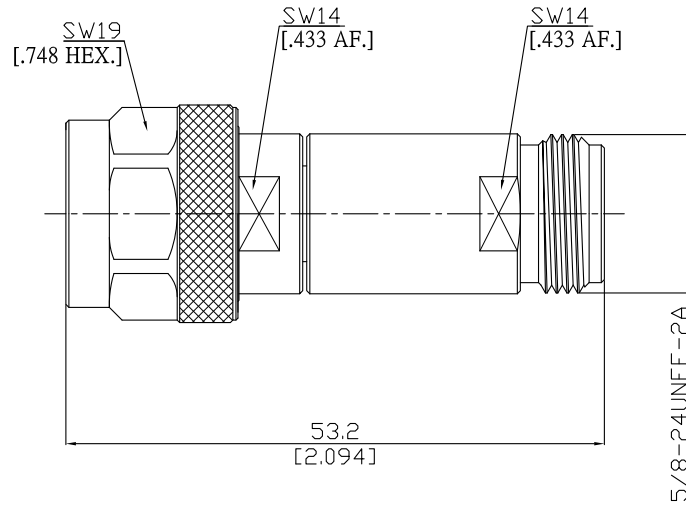


Fixed Attenuator plug/jack
N plug (male) / N jack (female)

FA-N1N25A-3G2W- -/944-94



All dimensions are in mm [inch]

Tolerances according to DIN ISO 2768-mH

Interface

According to IEC 61169-16; MIL-STD-348B/304

Electrical Data

Impedance 50 Ω
 Frequency DC to 3 GHz
 VSWR (Return Loss) ≤ 1.25 (≥ 19.08 dB)
 Power rating 2 Watt average power up to 25 °C

Maximum Deviation Over Frequency

Nominal ATTN (dB)	Deviation (dB)
1-10	± 0.4
11-30	± 0.5

Mechanical Data

Coupling mechanisms Screw-lock
 Weight N/A

Environmental Data

Temperature range -55°C to +130°C
 RoHS compliant

Material And Plating

Piece Parts (N)	Material	Plating
Centre contact	Beryllium Copper	Gold plating (Nickel underplated)
Body	Brass	Copper-Tin-Zinc Alloy
Insulator	PTFE	
Gasket	Silicone Rubber	
Coupling Nut	Brass	Copper-Tin-Zinc Alloy

Piece Parts (N)	Material	Plating
Centre contact	Beryllium Copper	Gold plating (Nickel underplated)
Body	Brass	Copper-Tin-Zinc Alloy
Insulator	PTFE	

Packing

Single or 100

The facts and figures herein are carefully compiled to the best of our knowledge, but they are intended for general informational purposes only. In the effort to improve our products, we reserve the right to make changes judged to be necessary.

Rev.:
 Date: 19/11/12
 Rosnol RF/Microwave Technology
 www.rosnol.com; info@rosnol.com
 Phone: +886-3-463-5095 / Fax: +886-3-463-5952
 N-CAGE Code: SFKK0 / ISO9001 Certified

Page
 1/1