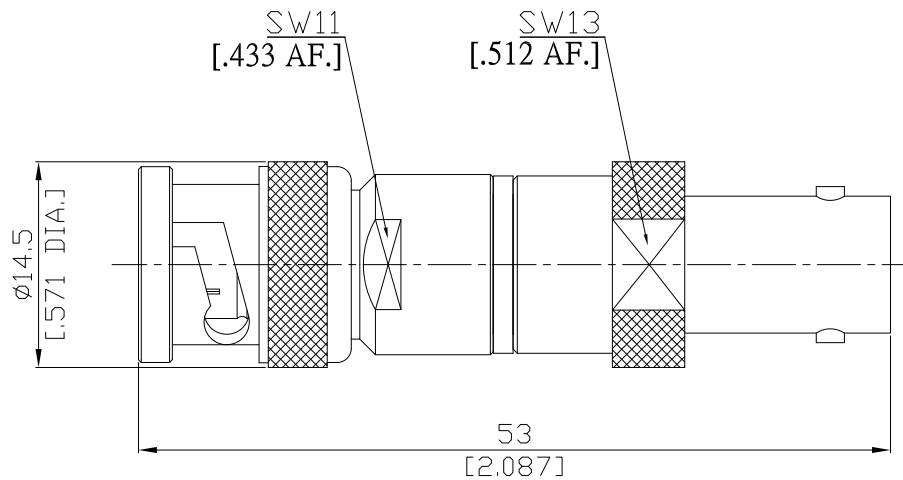




Fixed Attenuator plug/jack
BNC plug (male) / BNC jack (female)

FA-B1B25A-6G2W30/H44-H4



All dimensions are in mm [inch]

Tolerances according to DIN ISO 2768-mH

Interface

According to IEC 60169-8; MIL-C-39012; MIL-STD-348A/301

Electrical Data

Impedance	50 Ω		
Attenuation	30 dB		
Frequency	DC to 6 GHz		
Frequency sub range	DC to 2 GHz	2 to 4 GHz	4 to 6 GHz
VSWR (Return Loss)	≤ 1.15 (≥ 23.13 dB)	≤ 1.20 (≥ 20.83 dB)	≤ 1.25 (≥ 19.08 dB)
Attenuation deviation	± 0.4 dB	± 0.5 dB	± 0.5 dB
Power rating	2 Watt average power up to 30 °C		

Mechanical Data

Coupling mechanisms Bayonet-lock
Weight N/A

Environmental Data

Temperature range -55°C to +130°C
RoHS compliant

Material And Plating

Piece Parts (BNC)	Material	Plating
Centre contact	Phosphor Bronze	Gold plating(Nickel underplated)
Body	Brass	Copper-Tin-Zinc Alloy
Insulator	PTFE	
Gasket	Silicone Rubber	
Coupling Nut	Brass	Copper-Tin-Zinc Alloy

Piece Parts (BNC)	Material	Plating
Centre contact	Phosphor Bronze	Gold plating(Nickel underplated)
Body	Brass	Copper-Tin-Zinc Alloy
Insulator	PTFE	

Packing

Single or 100