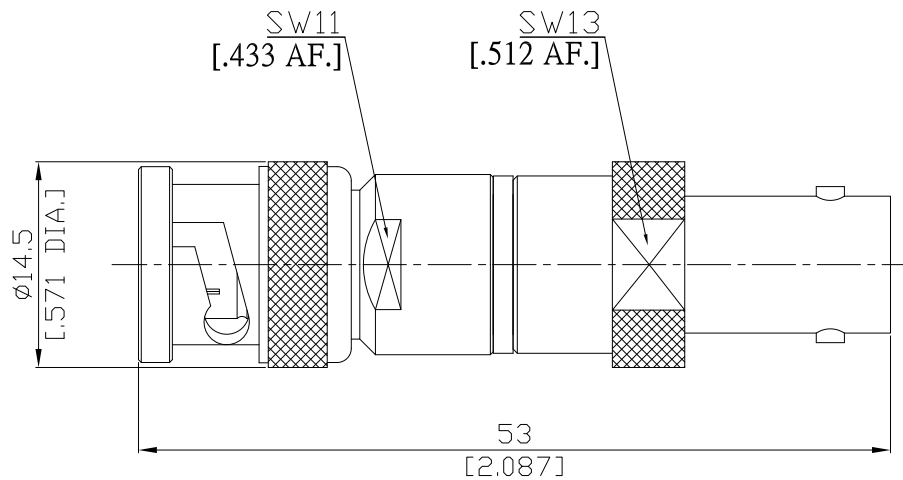


Fixed Attenuator plug/jack  
BNC plug (male) / BNC jack (female)

FA-B1B25A-4G2W3/944-94



All dimensions are in mm [inch]  
Tolerances according to DIN ISO 2768-mH

#### Interface

According to IEC 60169-8; MIL-C-39012; MIL-STD-348A/301

#### Electrical Data

Impedance	50 Ω	
Attenuation	3 dB	
Frequency	DC to 4 GHz	
Frequency sub range	DC to 2 GHz	2 to 4 GHz
VSWR (Return Loss)	≤ 1.15 (≥ 23.13 dB)	≤ 1.20 (≥ 20.8 dB)
Attenuation deviation	± 0.4 dB	± 0.5 dB
Power rating	2 Watt average power up to 30 °C	

#### Mechanical Data

Coupling mechanisms	Bayonet-lock
Weight	N/A

#### Environmental Data

Temperature range	-55°C to +130°C
RoHS	compliant

#### Material And Plating

Piece Parts (BNC)	Material	Plating
Centre contact	Beryllium Copper	Gold plating(Nickel underplated)
Body	Brass	Copper-Tin-Zinc Alloy
Insulator	PTFE	
Gasket	Silicone Rubber	
Coupling Nut	Brass	Copper-Tin-Zinc Alloy

Piece Parts (BNC)	Material	Plating
Centre contact	Beryllium Copper	Gold plating(Nickel underplated)
Body	Brass	Copper-Tin-Zinc Alloy
Insulator	PTFE	

#### Packing

Single or 100