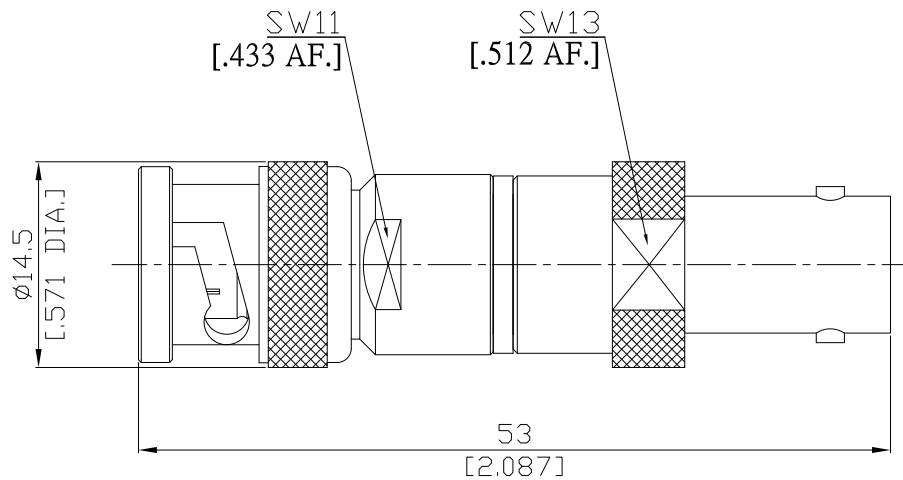




Fixed Attenuator plug/jack  
BNC plug (male) / BNC jack (female)

FA-B1B25A-4G2W30/H44-H4



All dimensions are in mm [inch]  
Tolerances according to DIN ISO 2768-mH

**Interface**

According to IEC 60169-8; MIL-STD-348B/301

**Electrical Data**

Impedance	50 Ω	
Attenuation	30 dB	
Frequency	DC to 4 GHz	
Frequency sub range	DC to 2 GHz	2 to 4 GHz
VSWR (Return Loss)	≤ 1.15 (≥ 23.13 dB)	≤ 1.20 (≥ 20.83 dB)
Attenuation deviation	± 0.4 dB	± 0.5 dB
Power rating	2 Watt average power up to 30 °C	

**Mechanical Data**

Coupling mechanisms	Bayonet-lock
Weight	N/A

**Environmental Data**

Temperature range	-55°C to +130°C
RoHS	compliant

**Material And Plating**

Piece Parts (BNC)	Material	Plating
Centre contact	Phosphor Bronze	Gold plating(Nickel underplated)
Body	Brass	Copper-Tin-Zinc Alloy
Insulator	PTFE	
Gasket	Silicone Rubber	
Coupling Nut	Brass	Copper-Tin-Zinc Alloy

Piece Parts (BNC)	Material	Plating
Centre contact	Phosphor Bronze	Gold plating(Nickel underplated)
Body	Brass	Copper-Tin-Zinc Alloy
Insulator	PTFE	

**Packing**

Single or 100