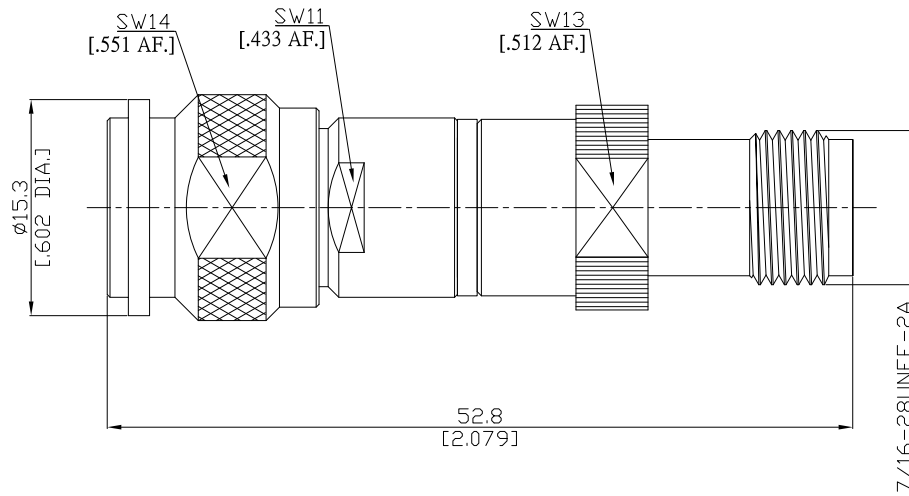




DC Block

Precision TNC plug (male) /
Precision TNC jack (female)

DB-PCT1PCT25A-18G100V/9XX-9X



All dimensions are in mm [inch]
Tolerances according to DIN ISO 2768-mH

Interface

According to IEC 60169-26; MIL-C-39012; MIL-STD-348A/313

Electrical Data

Impedance 50 Ω
Frequency 10 MHz to 18 GHz
VSWR (Return Loss) ≤ 1.35 (≥ 16.54 dB)
Insertion Loss ≤ 0.75 dB
Working Voltage ≤ 100 Vdc

Mechanical Data

Coupling mechanisms Screw-lock
Weight 0.0325 kg

Environmental Data

Temperature range -65°C to +125°C
RoHS compliant

Material And Plating

Piece Parts (Precision TNC)	Material	Plating
Centre contact	Beryllium Copper	Gold plating(Nickel underplated)
Body	Stainless Steel	Passivated
Insulator	PTFE	
Gasket	Silicone Rubber	
Coupling nut	Stainless Steel	Passivated
Piece Parts (Precision TNC)	Material	Plating
Centre contact	Beryllium Copper	Gold plating(Nickel underplated)
Body	Stainless Steel	Passivated
Insulator	PTFE	

Packing

Single or 100