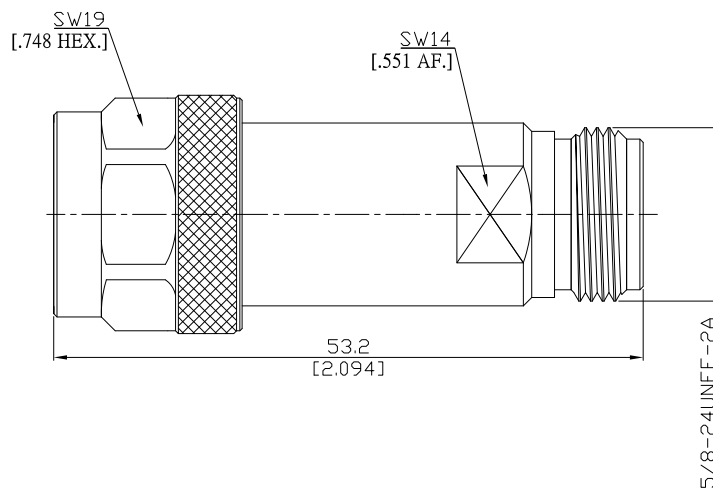




DC Block plug/jack
Precision N plug (male) / Precision N jack (female)

DB-PCN1 PCN25A-18G200V/9XX-9X



All dimensions are in mm [inch]

Tolerances according to DIN ISO 2768-mH

Interface

According to IEC 60169-16; MIL-C-39012; MIL-STD-348A/402

Electrical Data

Impedance 50 Ω
Frequency DC to 18 GHz
VSWR (Return Loss) ≤ 1.35 (≥ 16.54 dB)
Insertion Loss ≤ 0.5 dB
Voltage Rating (Volts) DC 200 V
Input Power up to 100 W

Mechanical Data

Coupling mechanisms Screw-lock
Weight N/A

Environmental Data

Temperature range -40°C to +105°C
RoHS compliant

Material And Plating

| Piece Parts (Precision N) | Material | Plating |
|---------------------------|------------------|----------------------------------|
| Centre contact | Beryllium Copper | Gold plating(Nickel underplated) |
| Body | Stainless Steel | Passivated |
| Insulator | PTFE | |
| Gasket | Silicone Rubber | |
| Coupling nut | Stainless Steel | Passivated |
| Piece Parts (Precision N) | Material | Plating |
| Centre contact | Beryllium Copper | Gold plating(Nickel underplated) |
| Body | Stainless Steel | Passivated |
| Insulator | PTFE | |

Packing

Single or 100