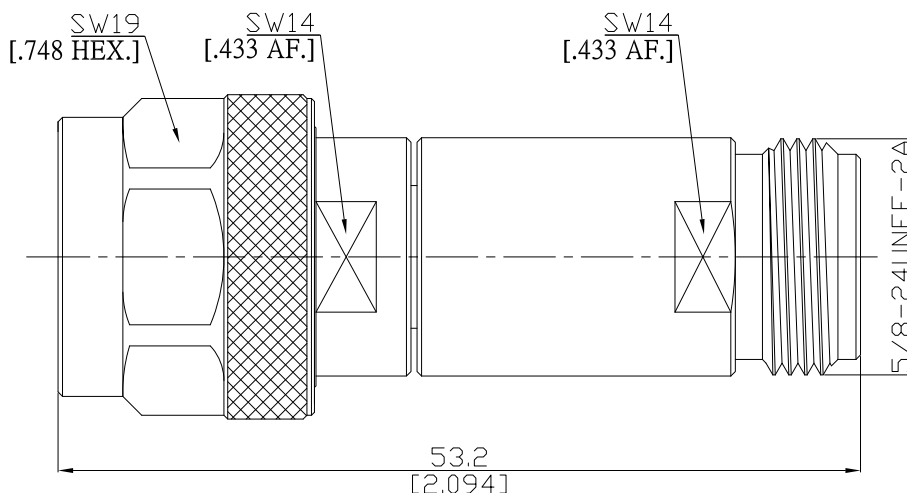


DC Block plug/jack  
N plug (male) / N jack (female)

DB-N1N25A-6G100V/H44-H4



All dimensions are in mm [inch]

Tolerances according to DIN ISO 2768-mH

#### Interface

According to IEC 61169-16; MIL-C-39012; MIL-STD-348A/304; CECC 22210

#### Electrical Data

Impedance 50 Ω  
 Frequency DC to 6 GHz  
 VSWR (Return Loss) ≤ 1.25 (≥ 19.08 dB)  
 Insertion Loss ≤ 0.5 dB  
 Voltage rating (Volts) DC 100 V

#### Mechanical Data

Coupling mechanisms Screw-lock  
 Weight 0.0526 kg

#### Environmental Data

Temperature range -55°C to +90°C  
 RoHS compliant

#### Material And Plating

Piece Parts (N)	Material	Plating
Centre contact	Phosphor Bronze	Gold plating(Nickel underplated)
Body	Brass	Copper-Tin-Zinc Alloy
Insulator	PTFE	
Gasket	Silicone Rubber	
Coupling nut	Brass	Copper-Tin-Zinc Alloy
Piece Parts (N)	Material	Plating
Centre contact	Phosphor Bronze	Gold plating(Nickel underplated)
Body	Brass	Copper-Tin-Zinc Alloy
Insulator	PTFE	

#### Packing

Single or 100