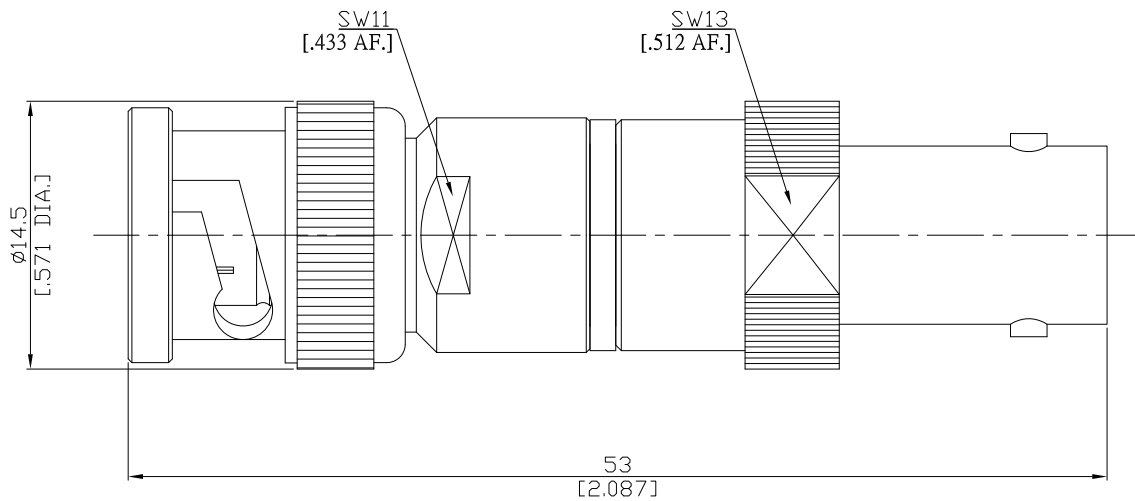


Inner DC Block plug/jack
BNC plug (male) / BNC jack (female)

DB-B1B25A-3G100V/H44-H4



All dimensions are in mm [inch]
Tolerances according to DIN ISO 2768-mH

Interface

According to IEC 60169-8; CECC 22120; MIL-C-39012; MIL-STD-348A/301

Electrical Data

Impedance 50 Ω
 Frequency DC to 3 GHz
 VSWR (Return Loss) ≤ 1.20 (≥ 20.83 dB)
 Insertion Loss ≤ 0.2 dB
 Voltage rating (Volts) DC 100 V
 DC block type Inner

Mechanical Data

Coupling mechanisms Bayonet-lock
 Weight 0.0189 kg

Environmental Data

Temperature range -55°C to +90°C
 RoHS compliant

Material And Plating

Piece Parts (BNC)	Material	Plating
Centre contact	Phosphor Bronze	Gold plating(Nickel underplated)
Body	Brass	Copper-Tin-Zinc Alloy
Insulator	PTFE	
Gasket	Silicone Rubber	
Coupling nut	Brass	Copper-Tin-Zinc Alloy

Piece Parts (BNC)	Material	Plating
Centre contact	Phosphor Bronze	Gold plating(Nickel underplated)
Body	Brass	Copper-Tin-Zinc Alloy
Insulator	PTFE	

Packing

Single or 100