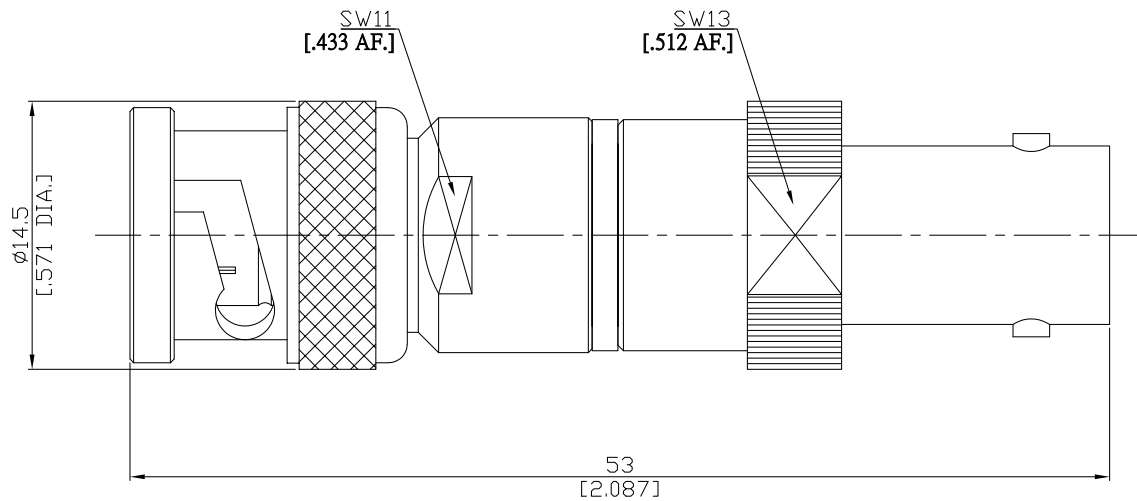


Inner DC Block plug/jack
BNC plug (male) / BNC jack (female)

DB-B1B25A-3G100V/9XX-9X



All dimensions are in mm [inch]
Tolerances according to DIN ISO 2768-mH

Interface

According to IEC 60169-8; MIL-STD-348B/301

Electrical Data

Impedance 50 Ω
Frequency DC to 3 GHz
VSWR (Return Loss) ≤ 1.20 (≥ 20.83 dB)
Insertion Loss ≤ 0.2 dB
Voltage rating (Volts) DC 100 V
DC block type Inner

Mechanical Data

Coupling mechanisms Bayonetlock
Weight N/A

Environmental Data

Temperature range -55°C to +90°C
RoHS compliant

Material And Plating

Piece Parts (BNC)	Material	Plating
Centre contact	Beryllium Copper	Gold plating(Nickel underplated)
Body	Stainless Steel	Passivated
Insulator	PTFE	
Gasket	Silicone Rubber	
Coupling nut	Stainless Steel	Passivated

Piece Parts (BNC)	Material	Plating
Centre contact	Beryllium Copper	Gold plating(Nickel underplated)
Body	Stainless Steel	Passivated
Insulator	PTFE	

Packing

Single or 100