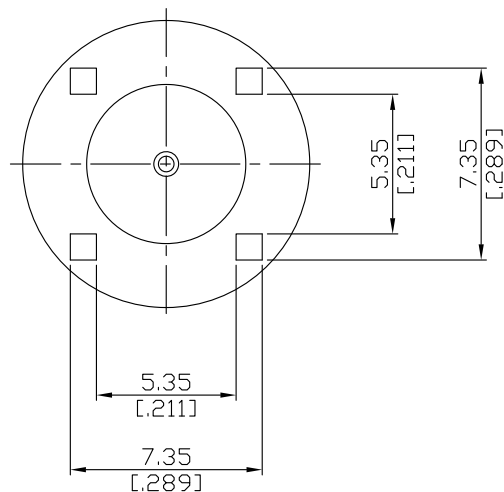
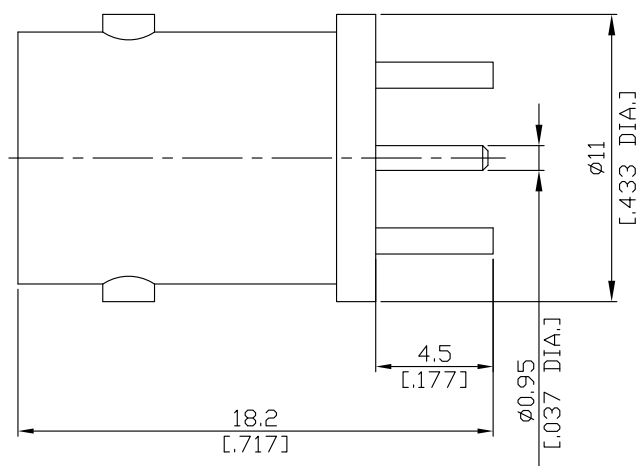


BNC Straight PCB Jack

BNC2I50-1820A/H3



All dimensions are in mm [inch]

Tolerances according to DIN ISO 2768-mH

Interface

According to IEC 60169-8; CECC 22120; MIL-C-39012; MIL-STD-348A/310

Electrical Data

Impedance 50 Ω
Frequency DC to 4 GHz

Mechanical Data

Coupling mechanisms Screw-lock
Board mounting type Through Holes
Weight N/A

Environmental Data

Temperature range -65°C to +165°C
RoHS compliant

Material And Plating

Connector parts	Material	Plating
Centre contact	Phosphor Bronze	Gold plating(Nickel underplated)
Body	Brass	Nickel
Insulator	PTFE	

Packing

Single or 100

Related Document

Mounting Dimension MD104