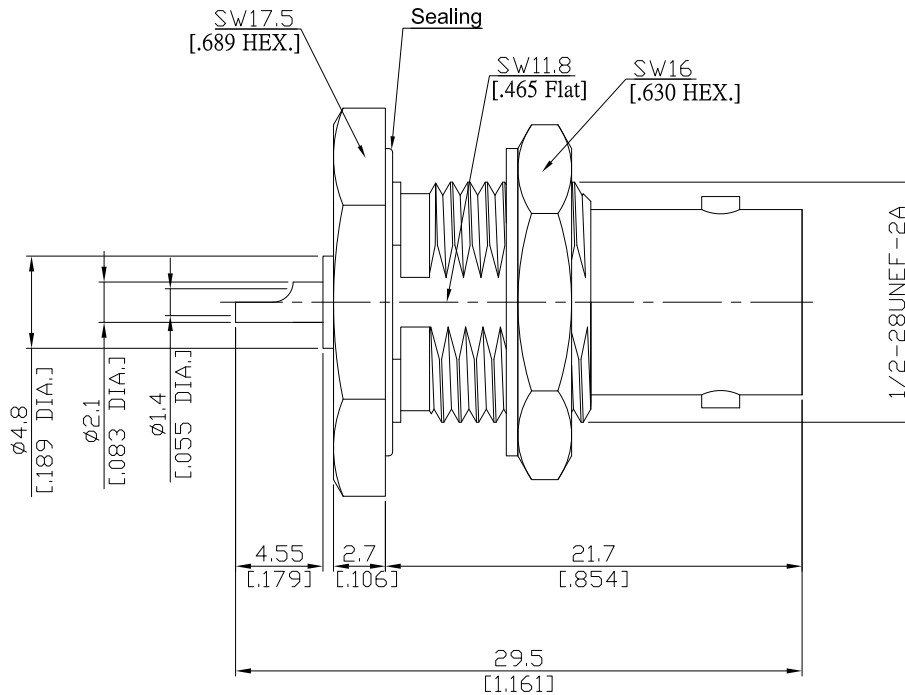


**BNC Straight Bulkhead Receptacle Jack
Solder End**

BNC2FB50-2950A/H3



All dimensions are in mm [inch]
Tolerances according to DIN ISO 2768-mH

Interface

According to IEC 61169-8; MIL-C-39012; MIL-STD-348A/301

Electrical Data

Impedance 50 Ω
Frequency DC to 4 GHz

Mechanical Data

Coupling mechanisms Bayonet-lock
Weight 0.0172 kg

Environmental Data

Temperature range -65°C to +165°C
RoHS compliant

Material And Plating

Piece Parts	Material	Plating
Centre contact	Phosphor Bronze	Gold plating(Nickel underplated)
Body	Brass	Nickel
Insulator	PTFE	
Gasket	Silicone Rubber	
Fastening nut	Brass	Nickel
Washer	Brass	Nickel

Packing

Single or 100

Related Document

Mounting Dimension MD7