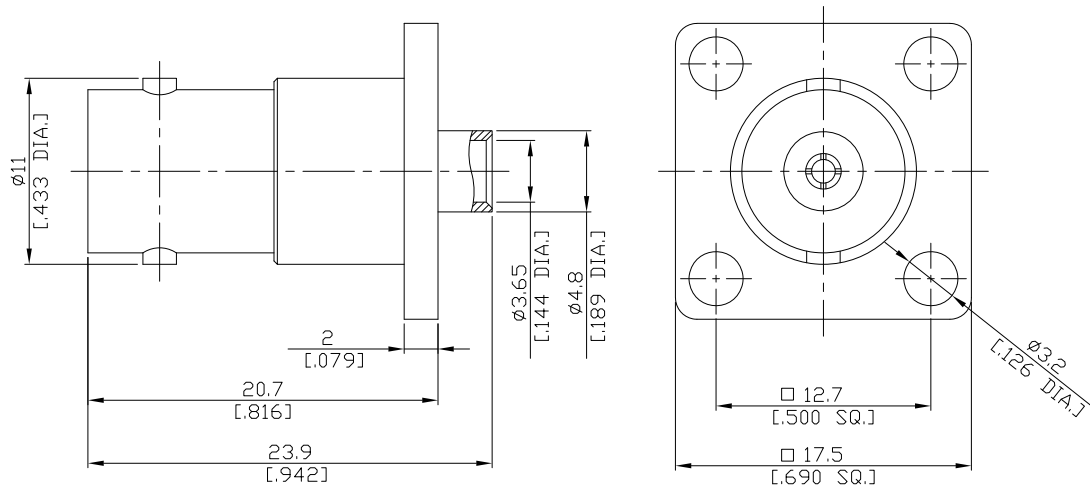




**BNC Straight 4 Hole Panel Flange
Cable Jack**

BNC2Eb50F-0141A/H4



All dimensions are in mm [inch]

Interface

According to IEC 60169-8; MIL-C-39012; MIL-STD-348A/301

Electrical Data

Impedance 50 Ω
 Frequency DC to 6 GHz
 VSWR (Return Loss) ≤ 1.09 (≥ 27.3 dB), DC to 2 GHz
 ≤ 1.12 (≥ 24.9 dB), 2 to 4 GHz
 ≤ 1.22 (≥ 20.1 dB), 4 to 6 GHz
 Insertion Loss $\leq 0.05 \times \sqrt{F}$ (GHz) dB, DC to 6 GHz

- Limitations are possible due to the used cable type -

Mechanical Data

Coupling mechanisms Bayonet-lock
 Centre contact Soldered or Crimped
 Cable entry Soldered

Environmental Data

Temperature range
 RoHS

Material And Plating

Connector parts	Material	Plating
Centre contact	Phosphor Bronze	Gold plating(Nickel underplated)
Body	Brass	Copper-Tin-Zinc Alloy
Insulator	PTFE	

Suitable Cables

RSR-141, RSF-141, RSF-141-FEP, RSF-141-PVC, RG-402, Belden 1673A, Belden 1673J

Packing

Single or 100

Related Document

Mounting Dimension MD9