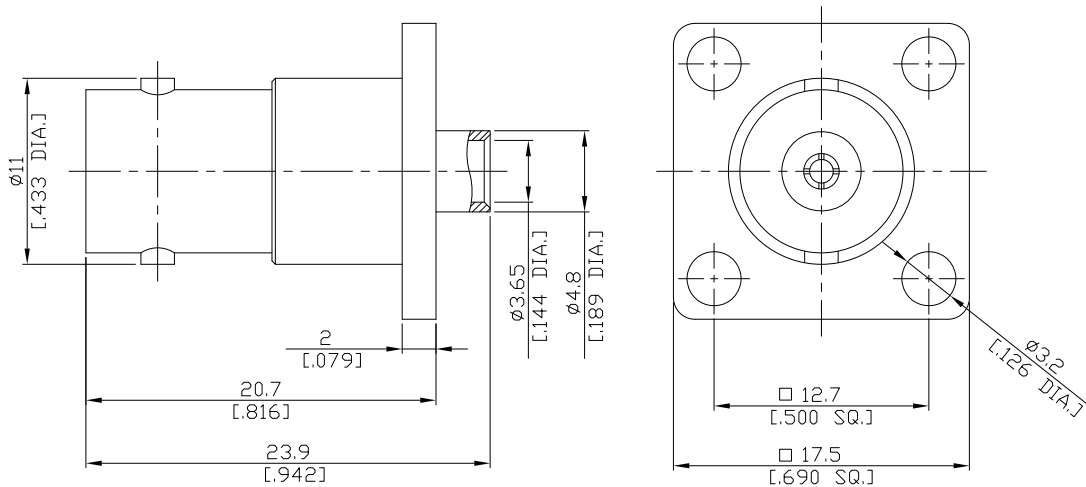




**BNC Straight 4 Hole Panel Flange  
Cable Jack**

**BNC2EBF50-0141A/H3**



All dimensions are in mm [inch]

**Interface**

According to IEC 60169-8; MIL-C-39012; MIL-STD-348A/301

**Electrical Data**

Impedance 50 Ω  
 Frequency DC to 6 GHz  
 VSWR (Return Loss) ≤ 1.09 (≥ 27.3 dB), DC to 2 GHz  
 ≤ 1.12 (≥ 24.9 dB), 2 to 4 GHz  
 ≤ 1.22 (≥ 20.1 dB), 4 to 6 GHz  
 Insertion Loss ≤ 0.05 x √F (GHz) dB, DC to 6 GHz

- Limitations are possible due to the used cable type -

**Mechanical Data**

Coupling mechanisms Bayonet-lock  
 Centre contact Soldered or Crimped  
 Cable entry Soldered

**Environmental Data**

Temperature range -65°C to +165°C  
 RoHS compliant

**Material And Plating**

Connector parts	Material	Plating
Centre contact	Phosphor Bronze	Gold plating(Nickel underplated)
Body	Brass	Nickel
Insulator	PTFE	

**Suitable Cables**

RSR-141, RSF-141, RSF-141-FEP, RSF-141-PVC, RG-402, Belden 1673A, Belden 1673J

**Packing**

Single or 100

**Related Document**

Mounting Dimension MD9