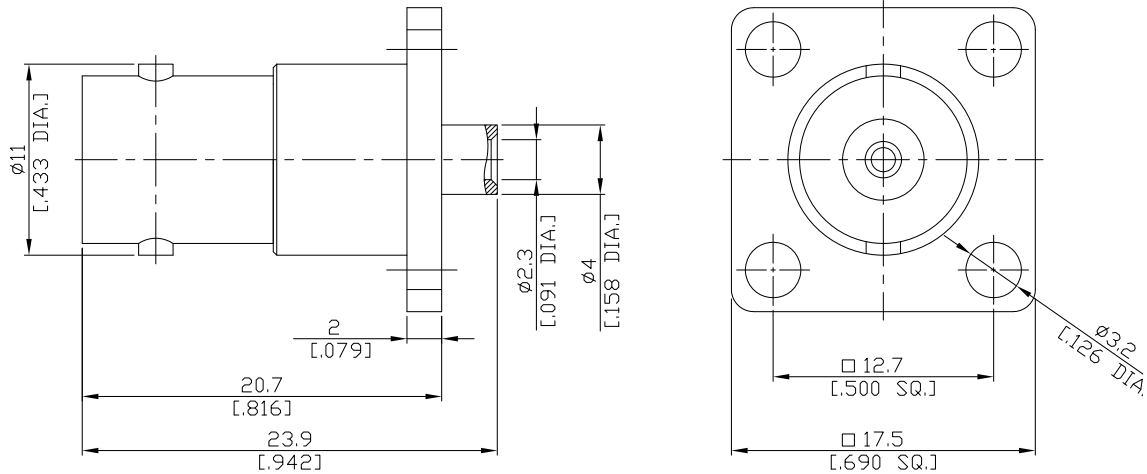


**BNC Straight 4 Hole Panel Flange
Cable Jack**

BNC2EBF50-0085A/H3



All dimensions are in mm [inch]

Interface

According to IEC 60169-8; MIL-C-39012; MIL-STD-348A/301

Electrical Data

Impedance 50 Ω
 Frequency DC to 6 GHz
 VSWR (Return Loss) ≤ 1.04 (≥ 34.2 dB), DC to 2 GHz
 ≤ 1.12 (≥ 24.9 dB), 2 to 4 GHz
 ≤ 1.22 (≥ 20.1 dB), 4 to 6 GHz
 Insertion Loss ≤ 0.05 x √F (GHz) dB

- Limitations are possible due to the used cable type -

Mechanical Data

Coupling mechanisms Bayonet-lock
 Centre contact Soldered or Crimped
 Cable entry Soldered

Environmental Data

Temperature range -65°C to +165°C
 RoHS compliant

Material And Plating

Connector parts	Material	Plating
Centre contact	Phosphor Bronze	Gold plating(Nickel underplated)
Body	Brass	Nickel
Insulator	PTFE	

Suitable Cables

RSR-086, RSF-086, RSF-086-FEP, RSF-086-PVC, RG-405, Belden 1671A, Belden 1671J

Packing

Single or 100

Related Document

Mounting Dimension MD9