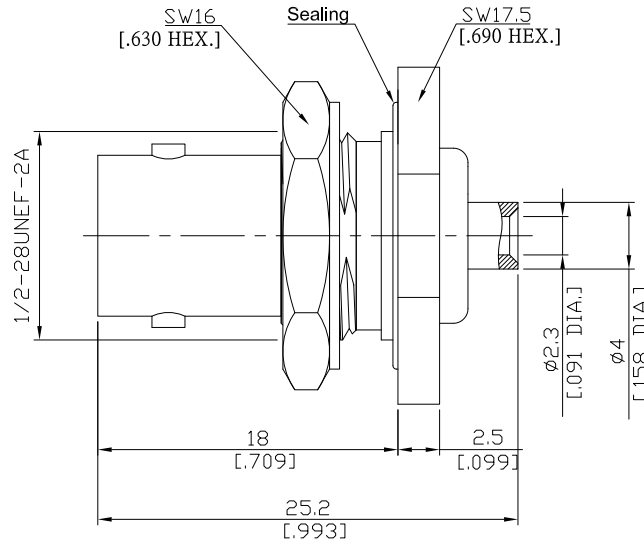


BNC Straight Bulkhead Cable Jack

BNC2EA50-0085A/H3



All dimensions are in mm [inch]

Interface

According to IEC 60169-8; MIL-C-39012; MIL-STD-348A/301

Electrical Data

Impedance 50 Ω
 Frequency DC to 6 GHz
 VSWR (Return Loss) ≤ 1.04 (≥ 34.2 dB), DC to 2 GHz
 ≤ 1.12 (≥ 24.9 dB), 2 to 4 GHz
 ≤ 1.22 (≥ 20.1 dB), 4 to 6 GHz
 Insertion Loss ≤ 0.05 x √F (GHz) dB

- Limitations are possible due to the used cable type -

Mechanical Data

Coupling mechanisms Bayonet-lock
 Centre contact Soldered or Crimped
 Cable entry Soldered

Environmental Data

Temperature range -65°C to +165°C
 RoHS compliant

Material And Plating

Connector parts	Material	Plating
Centre contact	Phosphor Bronze	Gold plating(Nickel underplated)
Body	Brass	Nickel
Insulator	PTFE	
Gasket	Silicone Rubber	
Fastening nut	Brass	Nickel
Washer	Brass	Nickel

Suitable Cables

RSR-085, RSF-085, RSF-085-FEP, UT 85, RG 405/U, RTK- FS 085, RTK- Flex 405, BELDEN 1671A

Packing

Single or 100

Related Document

Mounting Dimension MD7