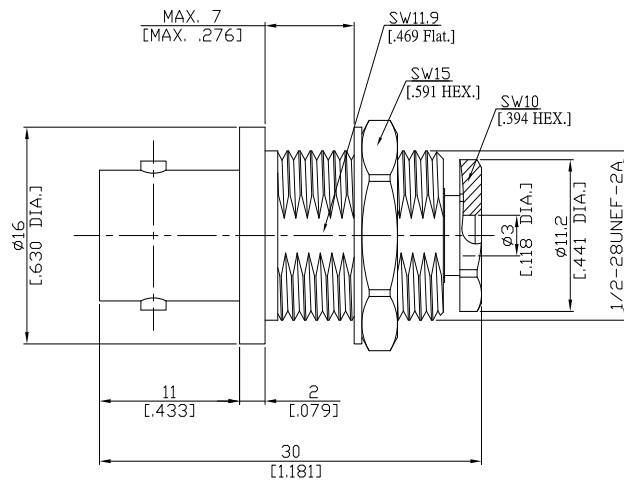


BNC Straight Bulkhead Cable Jack

BNC2DA50-G316A/H4



All dimensions are in mm [inch]
Tolerances according to DIN ISO 2768-mH

Interface

According to IEC 60169-8; MIL-C-39012; MIL-STD-348A/301

Electrical Data

Impedance 50 Ω
Frequency DC to 6 GHz
VSWR (Return Loss) ≤ 1.09 (≥ 27.3 dB), DC to 2 GHz
≤ 1.15 (≥ 23.1 dB), 2 to 4 GHz
≤ 1.22 (≥ 20.1 dB), 4 to 6 GHz
Insertion Loss ≤ 0.05 x √F (GHz) dB, DC to 6 GHz

- Limitations are possible due to the used cable type -

Mechanical Data

Coupling mechanisms Bayonet-lock
Centre contact Soldered or Crimped
Cable entry Clamp

Environmental Data

Temperature range -65°C to +165°C
RoHS compliant

Material And Plating

Connector parts	Material	Plating
Centre contact	Phosphor Bronze	Gold plating(Nickel underplated)
Body	Brass	Copper-Tin-Zinc Alloy
Insulator	PTFE	
Gasket	Silicone Rubber	
Fastening nut	Brass	Copper-Tin-Zinc Alloy
Washer	Brass	Copper-Tin-Zinc Alloy

Suitable Cables

RG-174, RG-188A, RG-316, LMR-100, RNL-100, BELDEN 7805

Packing

Single or 100

Related Document

Mounting Dimension MD23