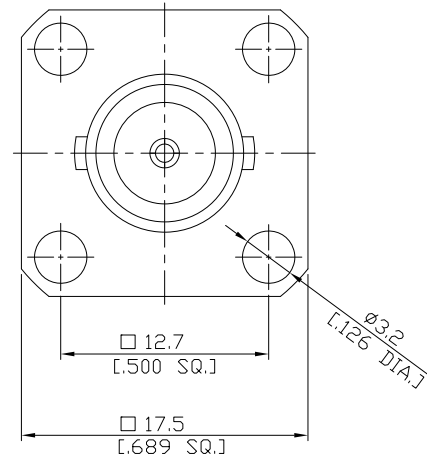
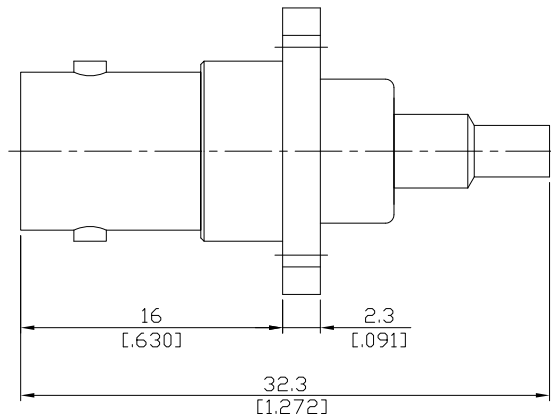


**BNC Straight 4 Hole Panel Flange
Cable Jack**

BNC2CBF50-G178A/H4



All dimensions are in mm [inch]

Interface

According to IEC 60169-8; MIL-C-39012; MIL-STD-348A/301

Electrical Data

Impedance 50 Ω
 Frequency DC to 6 GHz
 VSWR (Return Loss) ≤ 1.12 (≥ 24.9 dB), DC to 1 GHz
 ≤ 1.15 (≥ 23.1 dB), 1 to 2 GHz
 ≤ 1.29 (≥ 17.9 dB), 2 to 3 GHz
 Insertion Loss ≤ 0.05 x √F [GHz] dB, DC to 3 GHz

- Limitations are possible due to the used cable type -

Mechanical Data

Coupling mechanisms Bayonet-lock
 Centre contact Soldered or Crimped
 Cable entry Crimped

Environmental Data

Temperature range -65°C to +165°C
 RoHS compliant

Material And Plating

Connector parts	Material	Plating
Centre contact	Phosphor Bronze	Gold plating(Nickel underplated)
Body	Brass	Copper-Tin-Zinc Alloy
Insulator	PTFE	
Crimp ferrules	Brass	Copper-Tin-Zinc Alloy

Suitable Cables

RG-178B, RG-196A

Packing

Single or 100

Related Document

Mounting Dimension MD26