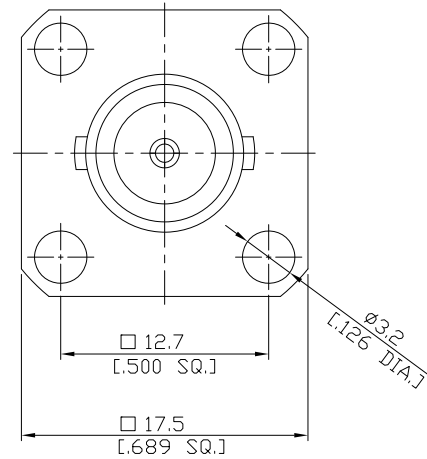
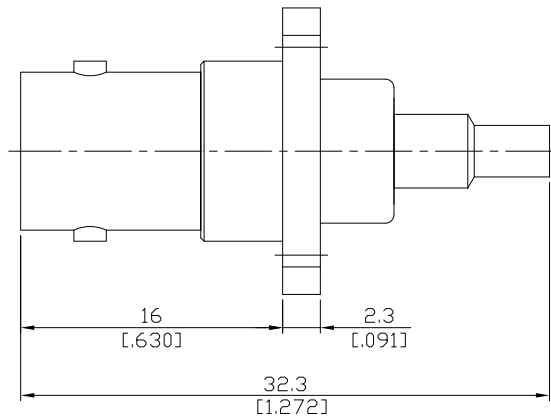


**BNC Straight 4 Hole Panel Flange  
Cable Jack**

**BNC2CBF50-G178A/H3**



All dimensions are in mm [inch]

**Interface**

According to IEC 60169-8; MIL-C-39012; MIL-STD-348A/301

**Electrical Data**

Impedance 50 Ω  
 Frequency DC to 6 GHz  
 VSWR (Return Loss) ≤ 1.12 (≥ 24.9 dB), DC to 1 GHz  
 ≤ 1.15 (≥ 23.1 dB), 1 to 2 GHz  
 ≤ 1.29 (≥ 17.9 dB), 2 to 3 GHz  
 Insertion Loss ≤ 0.05 × √F [GHz] dB, DC to 3 GHz

- Limitations are possible due to the used cable type -

**Mechanical Data**

Coupling mechanisms Bayonet-lock  
 Centre contact Soldered or Crimped  
 Cable entry Crimped

**Environmental Data**

Temperature range -65°C to +165°C  
 RoHS compliant

**Material And Plating**

Connector parts	Material	Plating
Centre contact	Phosphor Bronze	Gold plating(Nickel underplated)
Body	Brass	Nickel
Insulator	PTFE	
Crimp ferrules	Brass	Copper-Tin-Zinc Alloy

**Suitable Cables**

RG 178, RG 196

**Packing**

Single or 100

**Related Document**

Mounting Dimension MD26