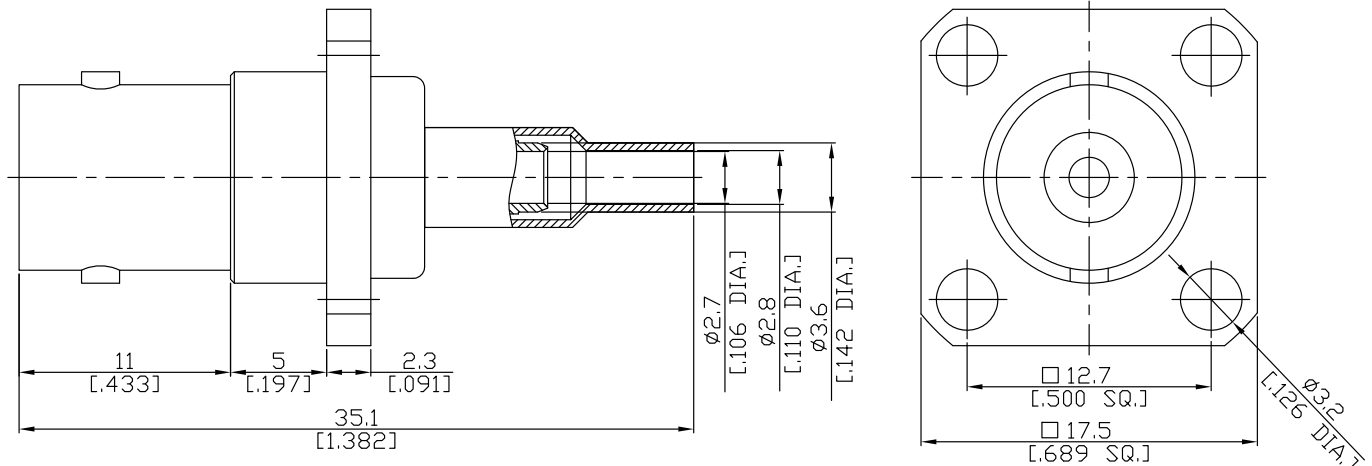


BNC Straight 4 Hole Panel Cable Jack

BNC2CBF50-G122A/H3



All dimensions are in mm [inch]

**Interface**

According to IEC 60169-8; MIL-C-39012; MIL-STD-348A/301

**Electrical Data**

Impedance 50 Ω  
Frequency DC to 4 GHz

- Limitations are possible due to the used cable type -

**Mechanical Data**

Coupling mechanisms Bayonet-lock  
Centre contact Soldered  
Cable entry Crimped

**Environmental Data**

Temperature range -65°C to +165°C  
RoHS compliant

**Material And Plating**

Connector parts	Material	Plating
Centre contact	Phosphor Bronze	Gold plating(Nickel underplated)
Body	Brass	Nickel
Insulator	PTFE	
Crimp ferrules	Brass	Copper-Tin-Zinc Alloy

**Suitable Cables**

RG-122, RG-180, RG-195, BELDEN 1855A, BELDEN 1865A, BELDEN 8218

**Packing**

Single or 100

**Related Document**

Mounting Dimension MD9