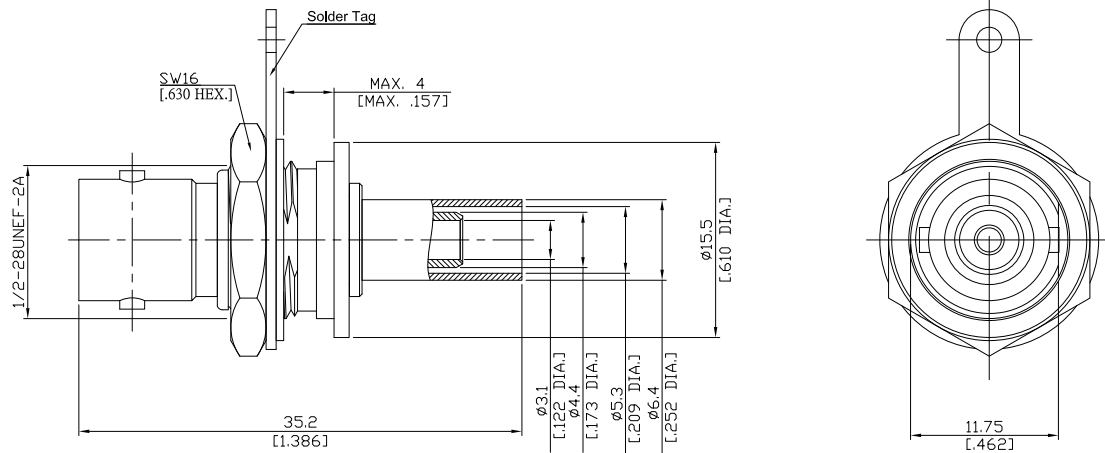


BNC Straight Bulkhead Cable Jack

BNC2CA50-G058C/H4



All dimensions are in mm [inch]
Tolerances according to DIN ISO 2768-mH

Interface
According to IEC 60169-8; MIL-C-39012; MIL-STD-348A/301

Electrical Data
Impedance 50 Ω
Frequency DC to 4 GHz
VSWR (Return Loss) ≤ 1.15 (≥ 23.1 dB), DC to 1 GHz
≤ 1.20 (≥ 20.1 dB), 1 to 4 GHz
Insertion Loss ≤ 0.05 x √F (GHz) dB

- Limitations are possible due to the used cable type -

Mechanical Data
Coupling mechanisms Bayonet-lock
Centre contact Soldered
Cable entry Crimped

Environmental Data
Temperature range -65°C to +165°C
RoHS compliant

Material And Plating	Material	Plating
Connector parts	Phosphor Bronze	Gold plating(Nickel underplated)
Centre contact	Brass	Copper-Tin-Zinc Alloy
Body	PTFE	
Insulator	Brass	Copper-Tin-Zinc Alloy
Crimp ferrules	Brass	Copper-Tin-Zinc Alloy
Fastening nut	Brass	Copper-Tin-Zinc Alloy
Washer	Brass	Copper-Tin-Zinc Alloy
Solder tag	Brass	Copper-Tin-Zinc Alloy

Suitable Cables
RG-58, RG-58A, RG-58C, RG-141, RG-303, BELDEN 7806A, BELDEN 9907, LMR 195

Packing
Single or 100

Related Document
Mounting Dimension MD7