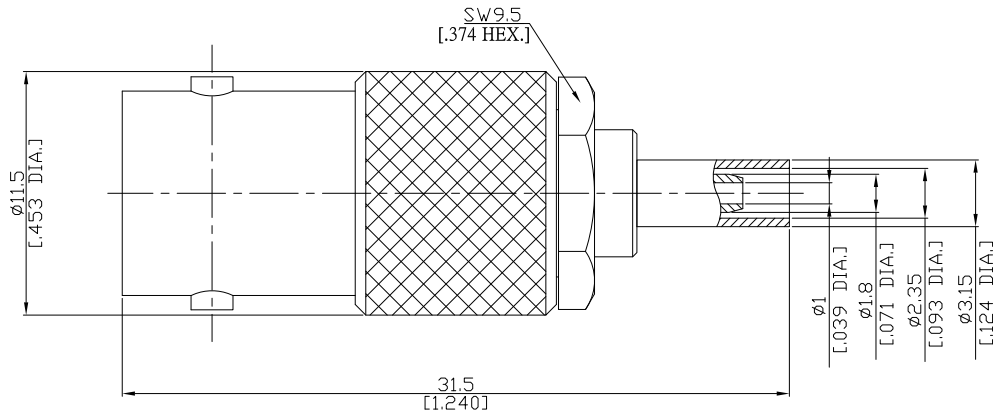


BNC Straight Cable Jack

BNC2C50-G178A/H3



All dimensions are in mm [inch]

Interface

According to IEC 60169-8; MIL-C-39012; MIL-STD-348A/301

Electrical Data

Impedance 50 Ω
 Frequency DC to 4 GHz
 VSWR (Return Loss) ≤ 1.17 (≥ 22.1 dB), DC to 1 GHz
 ≤ 1.33 (≥ 17.0 dB), 1 to 2 GHz
 ≤ 1.50 (≥ 14.0 dB), 2 to 4 GHz
 Insertion Loss ≤ 0.07 x √F (GHz) dB, DC to 2 GHz

- Limitations are possible due to the used cable type -

Mechanical Data

Coupling mechanisms Bayonet-lock
 Centre contact Soldered or Crimped
 Cable entry Crimped

Environmental Data

Temperature range -65°C to +165°C
 RoHS compliant

Material And Plating

Connector parts	Material	Plating
Centre contact	Phosphor Bronze	Gold plating(Nickel underplated)
Body	Brass	Nickel
Insulator	PTFE	
Crimp ferrules	Brass	Copper-Tin-Zinc Alloy

Suitable Cables

RG-178, RG-196A

Packing

Single, 5-pack or 100