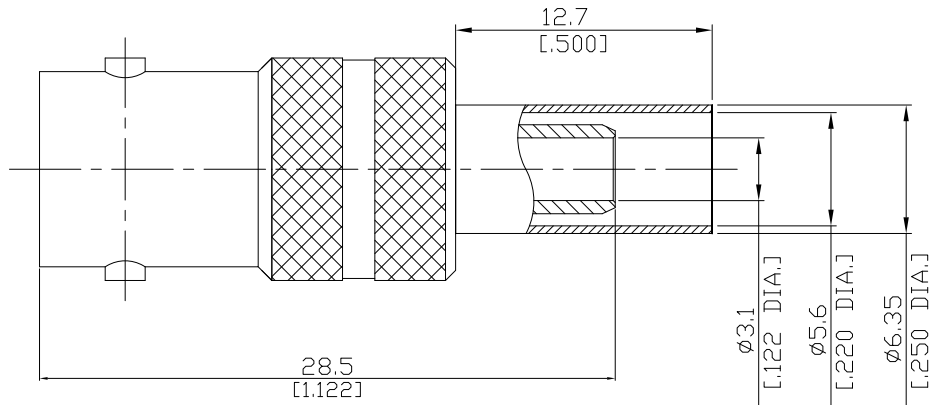


BNC Straight Cable Jack

BNC2C50-G142A/H4



All dimensions are in mm [inch]  
Tolerances according to DIN ISO 2768-mH

**Interface**

According to IEC 60169-8; MIL-STD-348A/301

**Electrical Data**

Impedance 50 Ω  
Frequency DC to 4 GHz  
VSWR (Return Loss) ≤ 1.12 (≥ 24.9 dB)  
Insertion Loss ≤ 0.05 x √F (GHz) dB, DC to 4 GHz

- Limitations are possible due to the used cable type and manufacturing process -

**Mechanical Data**

Coupling mechanisms Bayonet-lock  
Centre contact Soldered or Crimped  
Cable entry Crimped

**Environmental Data**

Temperature range -65°C to +165°C  
RoHS compliant

**Material And Plating**

Connector parts	Material	Plating
Centre contact	Phosphor Bronze	Gold plating(Nickel underplated)
Body	Brass	Copper-Tin-Zinc Alloy
Insulator	PTFE	
Crimp ferrule	Brass	Copper-Tin-Zinc Alloy

**Suitable Cables**

RG-55, RG-142, RG-223, RG-400

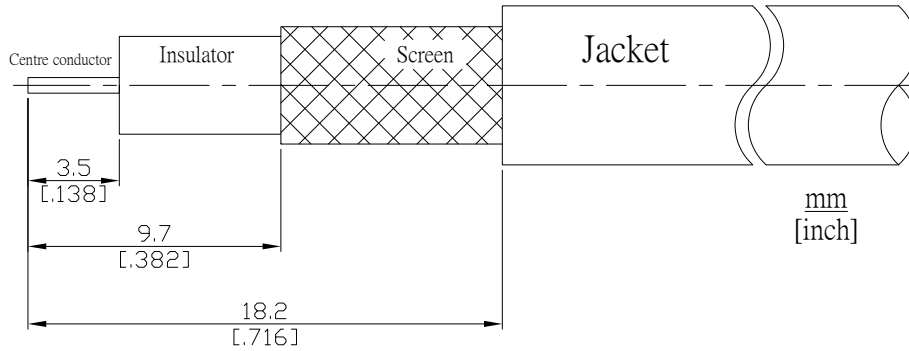
**Packing**

Single or 100

BNC Straight Cable Jack

BNC2C50-G142A/H4

**Recommended Cable Stripping Dimensions**



**Crimp Dimensions [HEX]**

Crimp ferrule	5.41 mm [0.213 inch]
Centre contact	1.73 mm [0.068 inch]