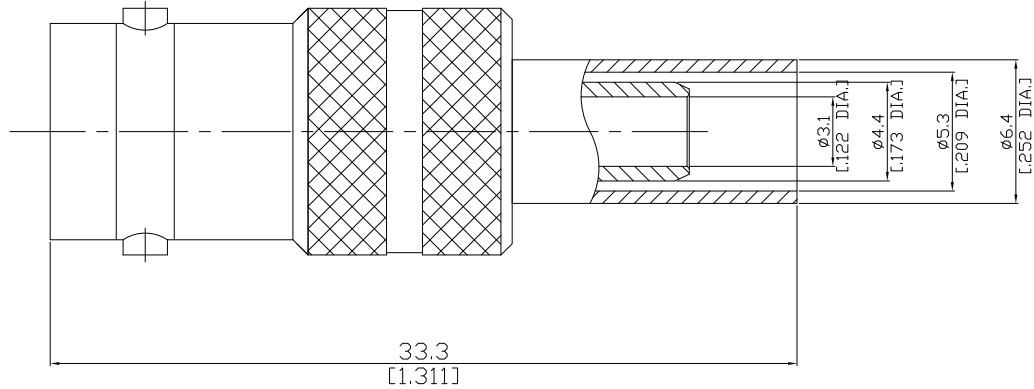


BNC Straight Cable Jack

BNC2C50-G058A/H3



All dimensions are in mm [inch]

Tolerances according to DIN ISO 2768-mH

Interface

According to IEC 60169-8; CECC 22120; MIL-C-39012; MIL-STD-348A/301

Electrical Data

Impedance: 50 Ω
 Frequency: DC to 4 GHz
 VSWR (Return Loss): ≤ 1.12 (≥ 24.9 dB)
 Insertion Loss: $\leq 0.05 \times \sqrt{F}$ (GHz) dB, DC to 4 GHz

- Limitations are possible due to the used cable type and manufacturing process -

Mechanical Data

Coupling mechanisms: Bayonet-lock
 Centre contact: Soldered or Crimped
 Cable entry: Crimped

Environmental Data

Temperature range: -65°C to +165°C
 RoHS: compliant

Material And Plating

Connector parts	Material	Plating
Centre contact	Phosphor Bronze	Gold plating(Nickel underplated)
Body	Brass	Nickel
Insulator	PTFE	
Crimp ferrule	Brass	Nickel

Suitable Cables

RG 58, RG 58A, RG 58C, RG 141, RG 303, BELDEN 7806A, BELDEN 9907, LMR 195

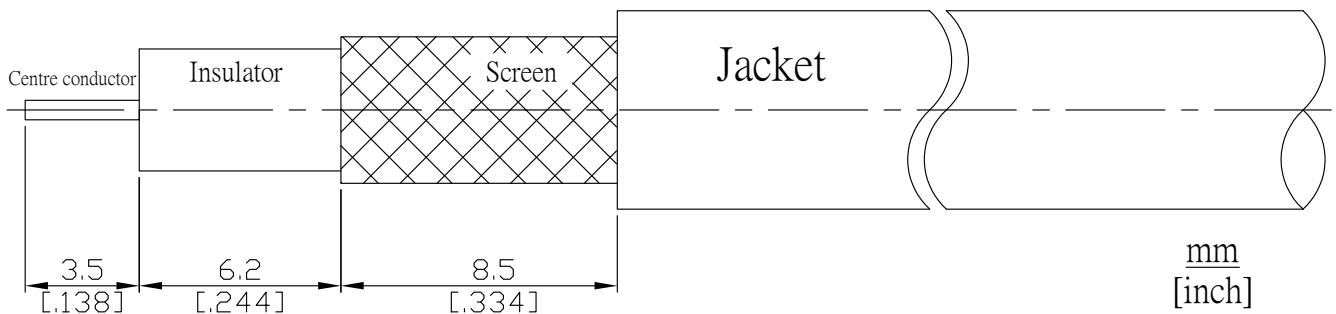
Packing

Single or 100

BNC Straight Cable Jack

BNC2C50-G058A/H3

Recommended Cable Stripping Dimensions



Crimp Dimensions [HEX]

Crimp ferrule	5.41mm [.213 inch]
Centre contact	1.73mm [.068 inch]