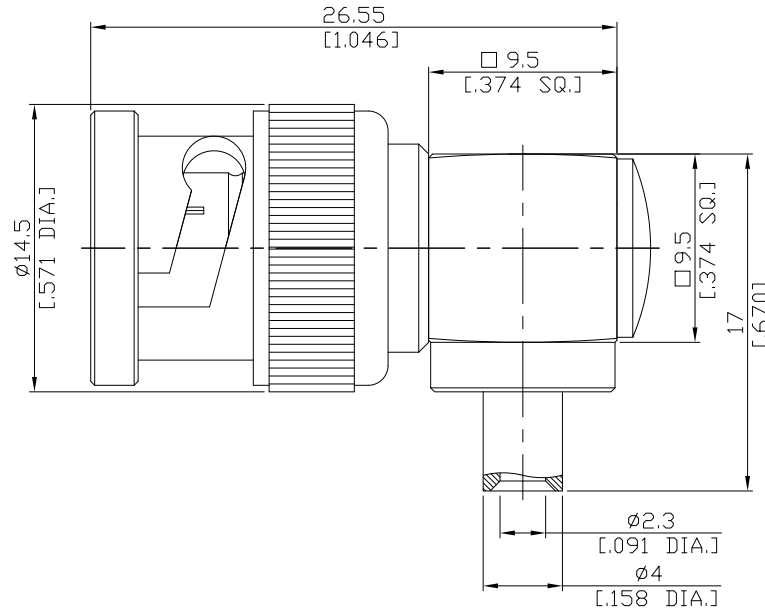


BNC Right Angle Cable Plug

BNC1E59-0085A/133



All dimensions are in mm [inch]

**Interface**

According to IEC 60169-8; MIL-C-39012; MIL-STD-348A/301

**Electrical Data**

Impedance 50 Ω  
Frequency DC to 4 GHz

- Limitations are possible due to the used cable type -

**Mechanical Data**

Coupling mechanisms Bayonet-lock  
Centre contact Soldered  
Cable entry Soldered

**Environmental Data**

Temperature range -65°C to +165°C  
RoHS compliant

**Material And Plating**

Connector parts	Material	Plating
Centre contact	Brass	Gold plating(Nickel underplated)
Body	Brass	Nickel
Insulator	PTFE	
Gasket	Silicone Rubber	
Coupling nut	Brass	Nickel

**Suitable Cables**

RSR-086, RSF-086, RSF-086-FEP, RSF-086-PVC, RF-405, Belden 1671A, Belden 1671J

**Packing**

Single or 100