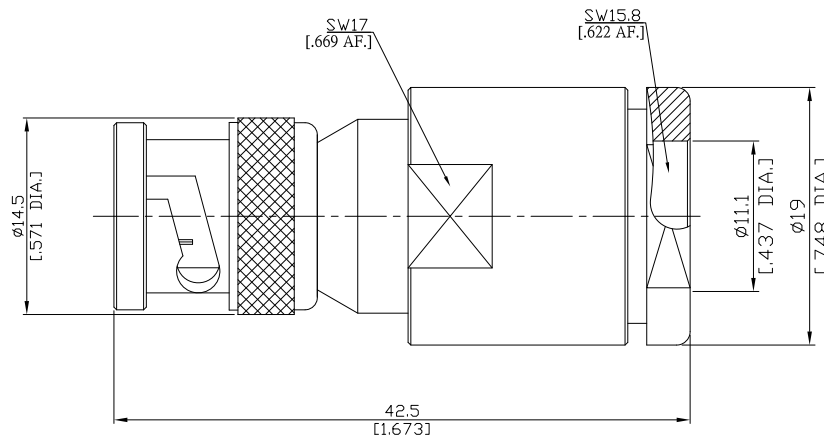


BNC Straight Cable Plug

BNC1D50-G214A/133



All dimensions are in mm [inch]
Tolerances according to DIN ISO 2768-mH

Interface

According to IEC 60169-8; MIL-C-39012; MIL-STD-348A/301

Electrical Data

Impedance 50 Ω
 Frequency DC to 6 GHz
 VSWR (Return Loss) ≤ 1.09 (≥ 27.3 dB), DC to 1 GHz
 ≤ 1.22 (≥ 20.1 dB), 1 to 2 GHz
 ≤ 1.38 (≥ 15.9 dB), 2 to 4 GHz
 Insertion Loss ≤ 0.05 x √F [GHz] dB, DC to 4 GHz

- Limitations are possible due to the used cable type -

Mechanical Data

Coupling mechanisms Bayonet-lock
 Centre contact Soldered or Crimped
 Cable entry Clamp

Environmental Data

Temperature range -65°C to +165°C
 RoHS compliant

Material And Plating

Connector parts	Material	Plating
Centre contact	Brass	Gold plating(Nickel underplated)
Body	Brass	Nickel
Insulator	PTFE	
Gasket	Silicone Rubber	
Coupling nut	Brass	Nickel

Suitable Cables

RG-214, RG-225, RG-393

Packing

Single or 100