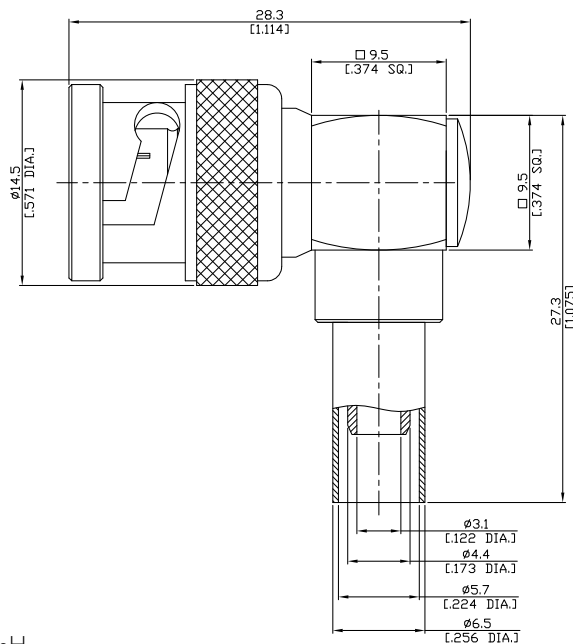




BNC Right Angle Cable Plug

BNC1C59-G142A/144



All dimensions are in mm [inch]  
Tolerances according to DIN ISO 2768-mH

**Interface**

According to IEC 60169-8; MIL-C-39012; MIL-STD-348A/301

**Electrical Data**

Impedance 50  $\Omega$   
 Frequency DC to 4 GHz  
 VSWR (Return Loss)  $\leq 1.09$  ( $\geq 27.3$  dB), DC to 2 GHz  
 $\leq 1.22$  ( $\geq 20.1$  dB), 2 to 4 GHz  
 Insertion Loss  $\leq 0.05 \times \sqrt{F}$  (GHz) dB

- Limitations are possible due to the used cable type -

**Mechanical Data**

Coupling mechanisms Bayonet-lock  
 Centre contact Soldered  
 Cable entry Crimped

**Environmental Data**

Temperature range -65°C to +165°C  
 RoHS compliant

**Material And Plating**

Connector parts	Material	Plating
Centre contact	Brass	Gold plating(Nickel underplated)
Body	Brass	Copper-Tin-Zinc Alloy
Insulator	PTFE	
Gasket	Silicone Rubber	
Coupling nut	Brass	Copper-Tin-Zinc Alloy
Crimp ferrules	Brass	Copper-Tin-Zinc Alloy

**Suitable Cables**

RG-55, RG-142, RG-223, RG-400

**Packing**

Single or 100